

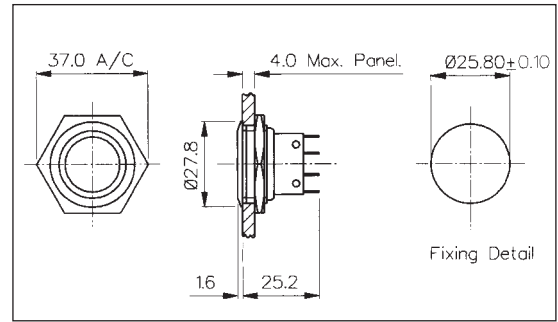
Low Profile Brass Chrome Plated Vandal Resistant

FRONT PANEL MOUNTING



MPB027

- 28mm diameter
- S.P.C.O. Microswitch
- 5A, 250V a.c.

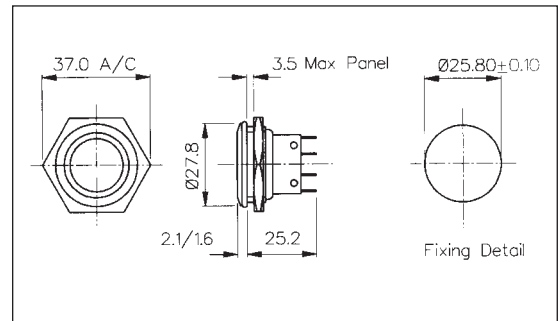


FRONT PANEL MOUNTING



MPB038
Sealed to IP66

- Front Panel Sealed to IP66
- 28mm diameter
- S.P.C.O. Microswitch
- 5A, 250V a.c.

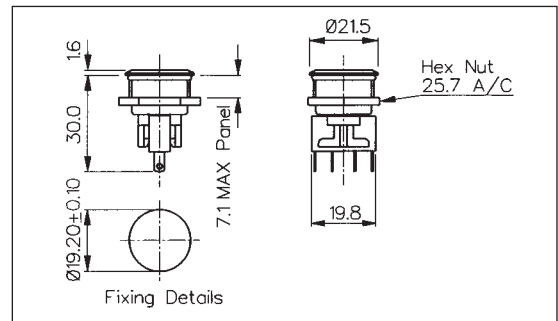


FRONT PANEL MOUNTING



MPB031
Sealed to IP66

- Front Panel Sealed to IP66
- 21mm diameter
- S.P.C.O. Microswitch
- 5A, 250V a.c.



Specification	MPB027	MPB038	MPB031
Terminations:	Solder Tags	Solder Tags	Solder Tags
Switching:	S.P.C.O. Momentary Action (Microswitch)	S.P.C.O. Momentary Action (Microswitch)	S.P.C.O. Momentary Action (Microswitch)
Max. Rating:	5A, 250V a.c.	5A, 250V a.c.	5A, 250V a.c.
Contact Resistance:	<10mΩ	<10mΩ	<10mΩ
Insulation Resistance:	>10 ³ MΩ	>10 ³ MΩ.	>10 ³ MΩ
Dielectric Strength:	>2.0kV a.c.	>2.0kV a.c.	>2.0kV a.c.
Operating Temp. Range:	-20°C to +70°C	-20°C to +70°C	-20°C to +70°C
Sealing (Front of panel only):		Protection Classification: IP66 EN60529 1992 (Micro switch not sealed)	Protection Classification: IP66 EN60529 1992 (Micro switch not sealed)
Operations			
Mechanical:	1,000,000 (min)	1,000,000 (min)	1,000,000 (min)
Electrical:	35,000 (min)	35,000 (min)	35,000 (min)
Operating Pressure:	7.5N (typ)	12.5N (typ)	4.7N (typ)
Rear Nut Fixing Torque:	2.5Nm	1.13Nm	0.57Nm
Materials			
Mouldings:	Glass Filled Nylon	Glass Filled Nylon	Glass Filled Nylon
Tags/Terminations:	Brass, Tin Plated	Brass, Tin Plated	Brass, Tin Plated
Switch Body & Button:	Brass, Chrome Plated	Brass, Chrome Plated	Brass, Chrome Plated
Contacts:	Fine Silver	Fine Silver	Fine Silver
Variants:	Non-Rotating Button, details on request	Non-Rotating Button, details on request	Non-Rotating Button, details on request