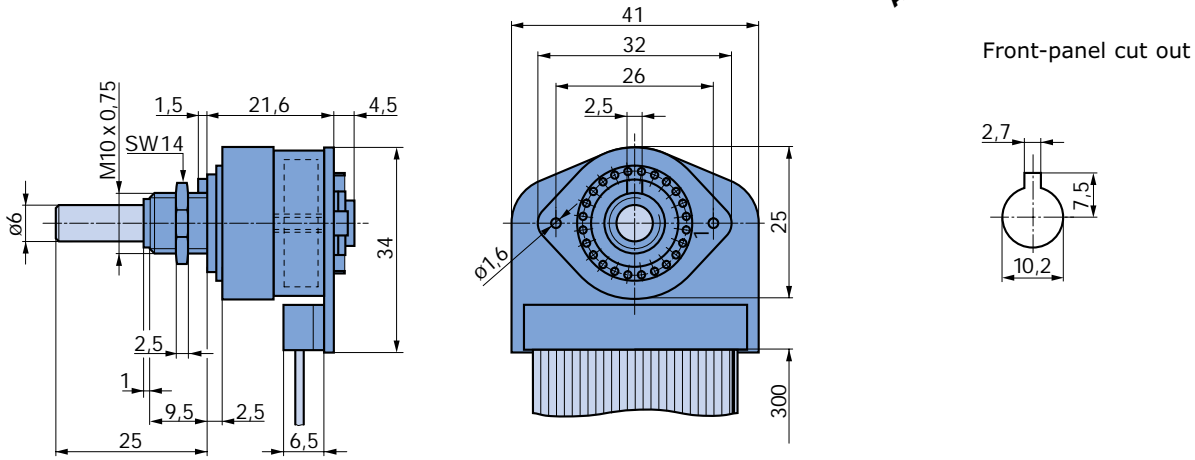


Rotary Switches

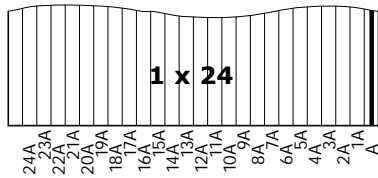
Type 04F with IDC Cable

Phase-out product
Available until December 2005

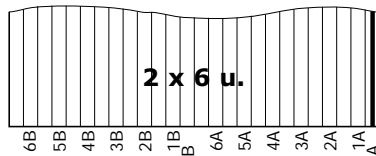
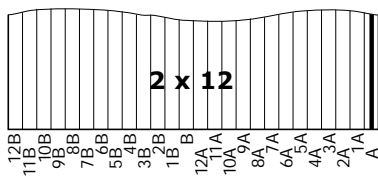
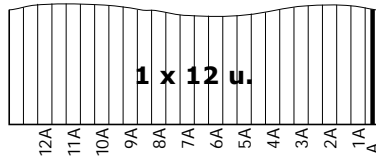


Connection diagram

Indexing angle 15°, shorting



Indexing angle 30°, non-shorting



Description

Rotary switch with bridge contact principle

Overall dimension
41 x 34 mm

Panel mounting
M 10 x 0,75
Two-hole mounting
Mounting hole distance 26 mm
Mounting screws M 2

Indexing angle
15° = 24 switching positions
30° = 12 switching positions
With or without stop.

The adjustable stop screws can be set on any position between 2 and the maximum.
Stop screws have to be ordered separately.

Number of poles
per wafer 1 or 2,
on request 3, 4, 6 or 12

Switching mode
Shorting or non-shorting

Contact material
Gold plated 3 µm

Connections
IDC-Cable, without connector on customer side

Rotary Switches Type 04F with IDC Cable

Phase-out product
Available until December 2005

ELMA
Your Solution Partner

Technical information

Mechanical data

Indexing mechanism

15° = 24 positions
shorting or non-shorting

30° = 12 positions
non-shorting

Switching torque with 1 wafer, 1 pole

Standard:

15 Ncm ± 25%

Special:

8 Ncm ± 25%

20 Ncm ± 25%

1,5 Ncm ± 25%

Vibration resistance

10–2000 Hz/10 g

Max. admissible tightening torque for nuts

max. 300 Ncm

Mechanical life

> 25000 switching circuits

Operating temperature

– 40 °C to + 85 °C

Material data

Housing

pressure cast, zinc plated and passivated

Shaft

stainless steel

Insulation material

Print: glass epoxyde

Rotor: polybutyleneterephthalate (PBTB)

Contact material (Copper)

• gold flash 3µm

3 µm gold plating on 3 µm nickel layer

Wiper (bronze)

• 3 µm gold flash

Connection data

IDC-Cable: AWG 28, 0.09 mm², pitch 0.05", ≥ 26 poles on DIP-plug connector
no connector on cable end

Electrical data

Application data

Voltage < 42 V

Current < 1 A

Switching capacity with resistive load:

2 V/<1 A AC/DC

24 V/0,6 A AC/DC

42 V/0,4 A AC/DC

Switching mode

shorting or non-shorting

Contact and lead resistance

< 250 mΩ in new condition (incl. 300-mm-cable)

Insulation resistance measured with 500 V DC, for 1 min

> 10¹³ Ω contact to contact

> 10¹² Ω contact to earth

Capacitance

1 pF contact to contact

(without cable)

Test voltage at 50 Hz and 60% relative humidity, for 1 min

1000 rms contact to contact

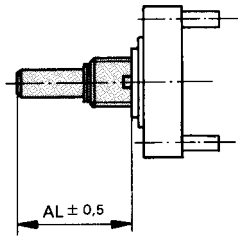
1000 rms contact to earth

Rotary Switches Type 04F with IDC Cable

Phase-out product
Available until December 2005

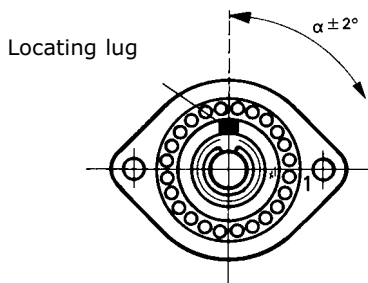
Ordering an option

To order a special option please use the order form on page 113. Please specify your requirements and fax it to your local contact or to Elma



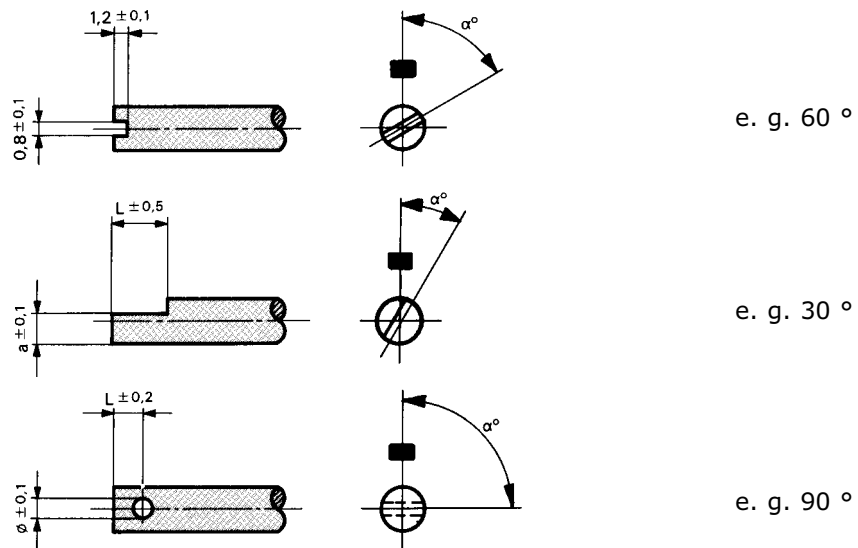
Special shaft length

To order, state the shaft length AL as shown in diagram, measured from mounting face. Please specify shaft length on page 113.



Angle in ° from locating lug. Switch on position 1

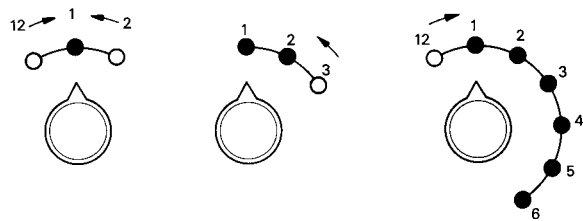
Special types of shaft



Specially machined shafts are available. Please specify dimensions on page 113.

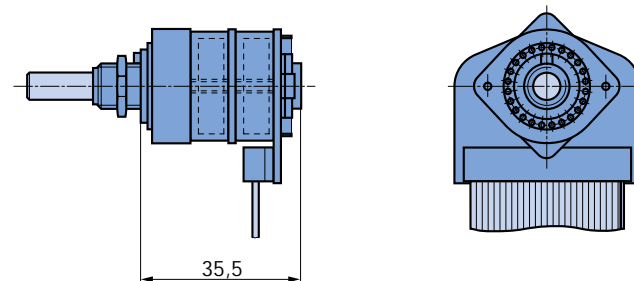
Switch with momentary contact

Examples



● Detent position
○ Momentary contact

Dimensions



Configuration with 1 or 2 momentary positions. Please complete order form on page 113.