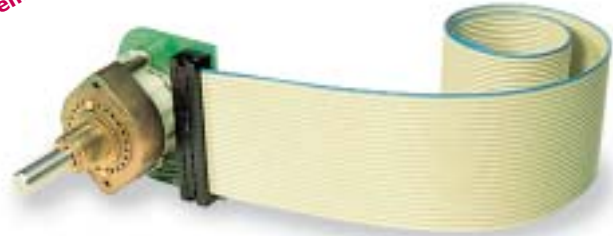


# Rotary Switches Type 04F with IDC Cable

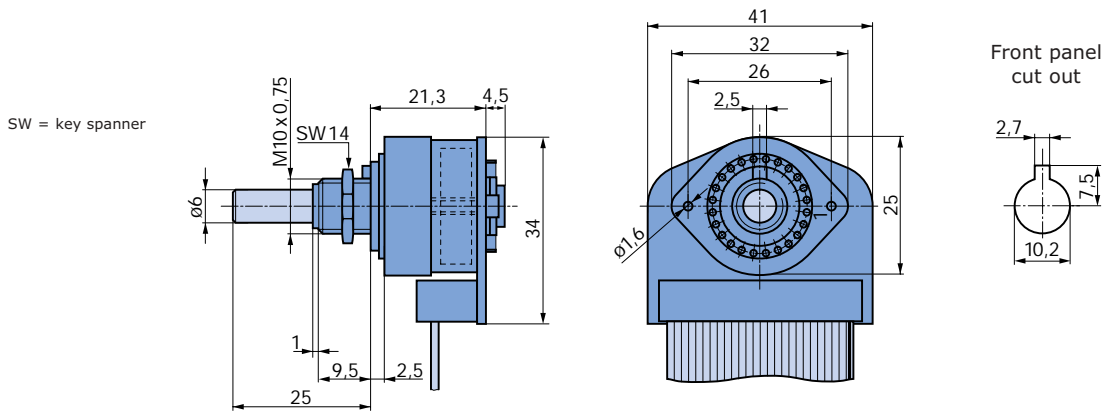
- 24 position switch
- plug-in instead of soldering
- reduces your production cost
- no errors due to incorrect wiring
- facilitates maintenance and reduces downtime

**Phase-out product**  
Available until December 2005



**Plug and Switch!**

## With IDC cable



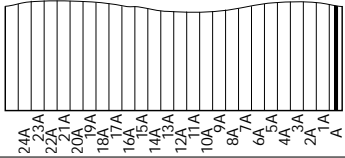
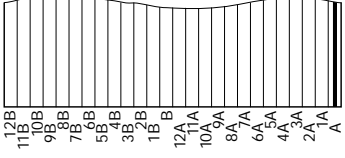
IDC-Cable: AWG 28, pitch 0,05", 26 pole

## Possible modifications on request

- special type of shaft (length, diameter, form)
- special torque
- waterproof
- special end stop
- shortened bush
- hollow shaft/inner shaft

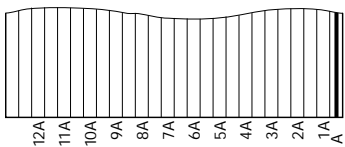
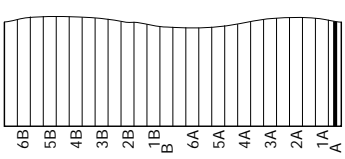
Phase-out product  
Available until December 2005

**Indexing angle 15°, shorting**

Connection diagram	Number of wafer	Function (Pole x Position)	Order number
	1	1 x 24	04F1133
	1	2 x 12	04F1213

packing unit : 4 pieces

**Indexing angle 30°, non-shorting**

Connection diagram	Number of wafer	Function (Pole x Position)	Order number
	1	1 x 12 u.	04F1124
	1	2 x 6 u.	04F1264

u. = non shorting  
incl. 30 cm cable

packing unit : 4 pieces