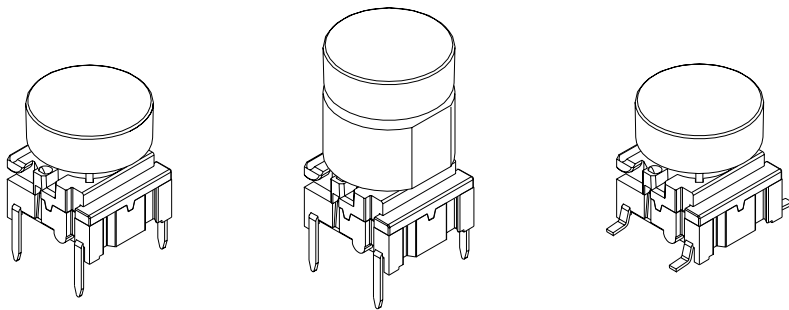


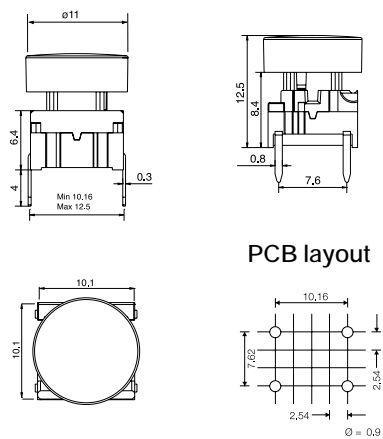
multimec® 3F+1GA



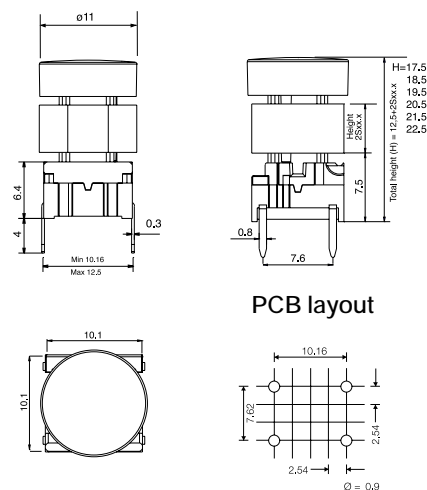
Technical Data:

- through-hole or SMD
- 50mA/24VDC
- single pole/momentary
- 10.000.000 operations life time
- IP67 sealing
- temperature range:
low temp: -40/+115°C
high temp: -40/+160°C

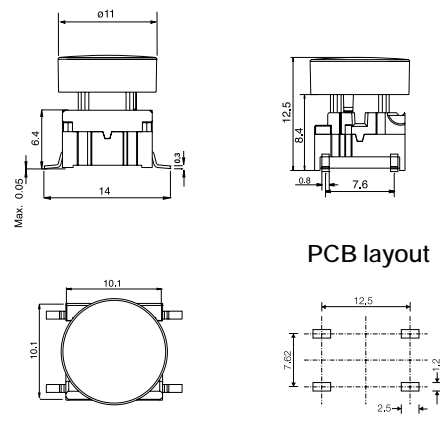
Dimensions (through-hole)



Dimensions (w/LED)



Dimensions (SMD)



HOW TO ORDER

3 F + **1 G A 0 9** **2 S 0 9 -** **. 0**

Switch Mounting L 6 low temp.
 T through-hole H 9 high temp.
 S surface mount

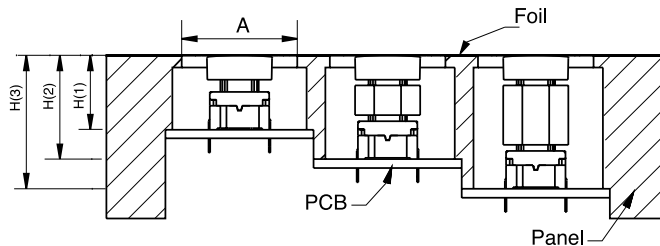
Cap black

Extender black Height
 05.0 (Optional)
 06.0 Adds 5-10mm
 07.0 to total
 09.0 height
 10.0 (stackable)

Standard versions:
3FTL6, 3FTH9, 3FSH9

Keycap	Variable Extender	H (height) mm	Example
1GA		12.5	H (1)
1GA	2S09-05.0	17.5	H (2)
	2S09-06.0	18.5	
	2S09-07.0	19.5	
	2S09-08.0	20.5	
	2S09-09.0	21.5	
	2S09-10.0	22.5	H (3)

H = Building height



Building heights below 12.5 mm - Please see Multimec versions 3C and 3E.
All 2S09 extenders are stackable giving the possibility to match most building heights.

A = We recommend you to allocate enough space for travel of the foil and leave the area free from adhesive.
Switch travel alone = 1mm.

H = We recommend you to calculate this dimension from the top of the PCB to the under side of the design foil.

Dimensions (mm)
Unless otherwise specified,
all tolerances ±0.2

Ordering example: 3FTL6 +1GA09 or 3FTL6 + 2S09 -07.0 + 1GA09