

Push-Pull Circular Connectors

PRC03 series / PRC04 series

- PRC03 series Push-Pull Locking connectors are uniquely designed in applications and are popular in demand -ing measurement and industrial. PRC03 series connectors are registered as a standard model of Japanese Non-destructive Testing Association.

PRC04 series are lightweight connectors, adopting aluminum alloy.

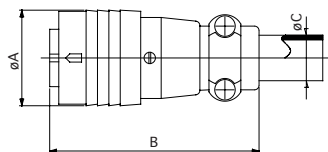
Specifications

Series	PRC03	PRC04
Connections	Push-Pull	
Termination	Solder	
Temperature and Humidity	-25°C to +85°C 85% Max.	
Number of Pins	2, 3, 4, 5, 7	8, 12, 14, 19, 21, 37
Shell Material / Finish	Zinc Alloy / Nickel	Aluminum Alloy / Anodic Oxidation
Contact Material / Finish	Copper Alloy / Gold over Nickel	

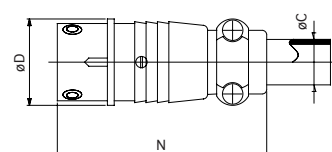
* See next page as for Electrical Specifications.



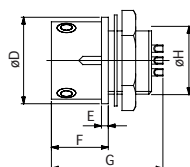
Plug
PRC03-12A10-3AM10.5



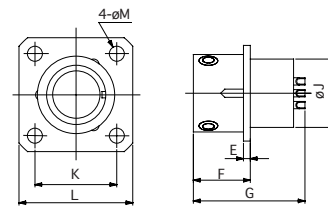
Jack
PRC03-32A10-AF



Bulkhead Mount Receptacle
PRC03-23A10-3AF



Flange Mount Receptacle
PRC03-21A10-3AF



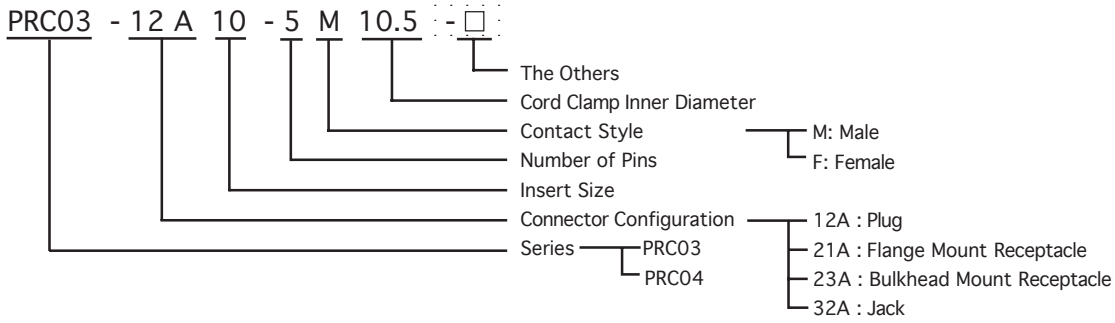
Configuration

Insert Size	Series	No. of Pins	Dimensions (mm)													
			A	B	C	D	E	F	G	H	J	K	L	M	N	
10	PRC03	2, 3, 4, 5, 7	21.0	46.0	10.5	19.0	1.5	12.5	26.5	M15 P=1	15.0	16.0	21.0	2.9	46.0	
16	PRC04	8, 14	28.0	55.5	12.5	25.0	2.0	13.5	25.5	21.0 P=1	21.0	21.5	28.0	3.4	50.0	
20		12, 19	34.0	63.5	14.5	32.0	2.5	14.0	26.0	26.0 P=1	26.0	26.0	33.0	3.9	58.5	
26		21, 37	41.0	71.0	18.0	38.0	2.5	14.0	26.0	32.0 P=1	32.0	31.0	38.0	3.9	65.5	

Push-Pull Circular Connectors Specifications

PRC03 series / PRC04 series

Part Numbering System

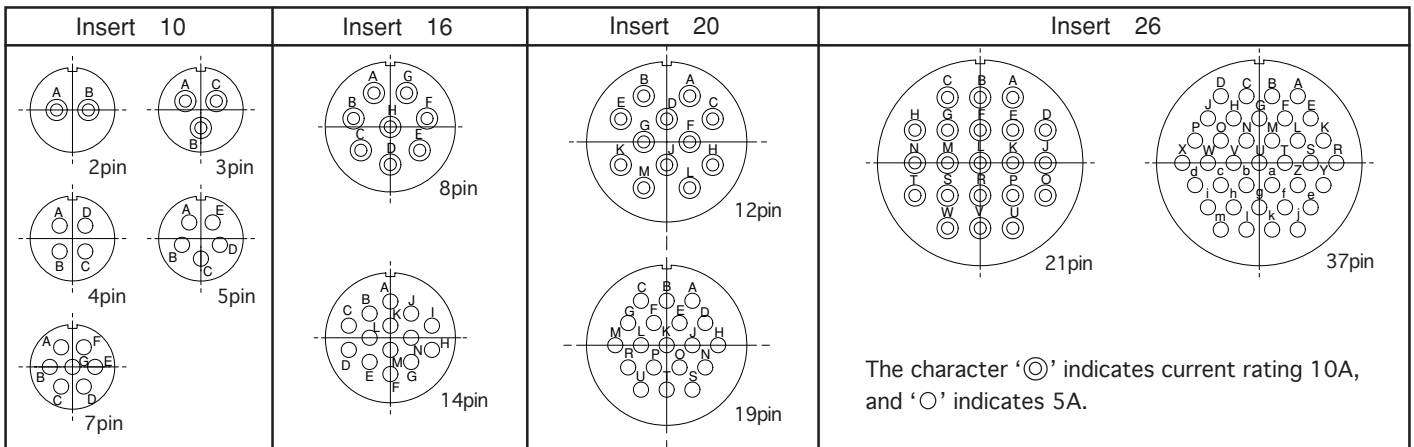


Electrical Specifications

Series	PRC03					PRC04					
	10					16		20		26	
Insert Size	10					16		20		26	
Number of Contacts	2	3	4	5	7	8	14	12	19	21	37
Withstanding Voltage (V RMS)	1800	1000	1200	1000	1000	1200	1000	1200	1200	1200	1200
Voltage Rating (V RMS)	600	350	400	350	350	400	350	400	400	400	400
Current Rating (A)	10	10	5	5	5	10	5	10	4	10	3
Applicable Wire Size	AWG#16 (1.4mm ² Max.)		AWG#20 (0.5mm ² Max.)			AWG-#16	AWG-#20	AWG-#16	AWG-#20	AWG-#16	AWG-#20
Contact Resistance	5mΩ Max.										
Insulation Resistance	DC500V 100MΩ min.										

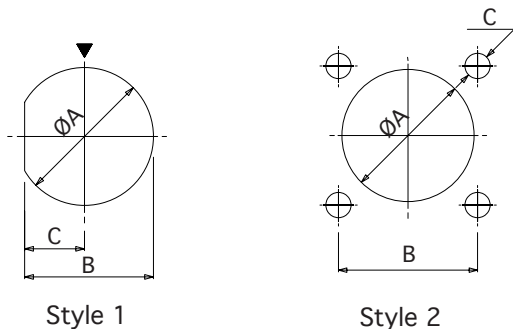
* PRC03 series is only available in Insert Size 10, PRC04 series is only available Insert Size 16, 20 and 26.

Insert Size & Pin Arrangement



* Drawings above are ones viewed from the rear side of pin insulators. (pin contacts)

Mounting Hole Dimensions



Bulkhead Mount Receptacle

Insert Size	Style	φ A	B	C
10 : PRC03	1	15.2	14.2	6.6
16 : PRC04		21.2	20.2	9.6
20 : PRC04		26.2	25.2	12.1
26 : PRC04		32.2	31.2	15.1

Flange Mount Receptacle

Insert Size	Style	φ A	B	C
10 : PRC03	2	15.2	16.0	φ 2.9
16 : PRC04		21.2	21.5	φ 3.4
20 : PRC04		26.2	26.0	φ 3.9
26 : PRC04		32.2	31.0	φ 3.9