

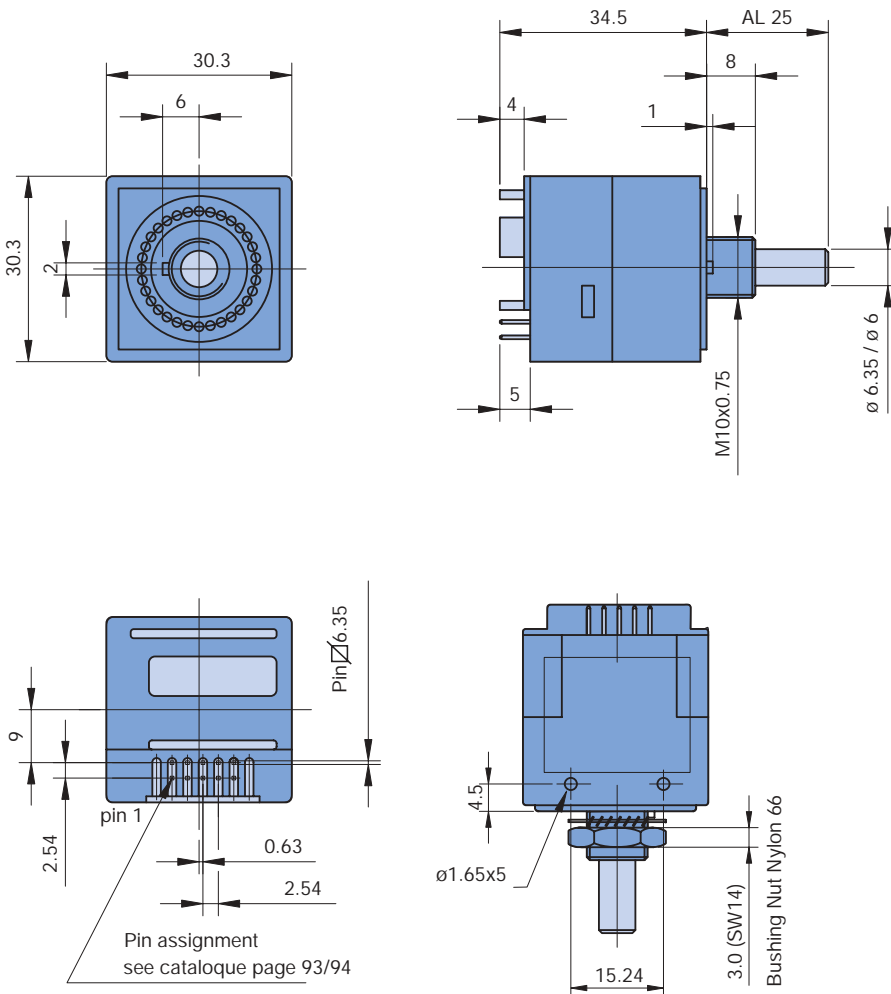
Optical Encoders

Incremental Encoder Type E50

- with push button function
- 24/32 detent
- life expectancy:
 - > 10 Mio. rotations
 - > 5 Mio. push button actuation
- contactless magnetic indexing provides positive tactile feedback for accurate position indication
- standard with connector (IDC), cable on request



Dimension



Possible modifications on request

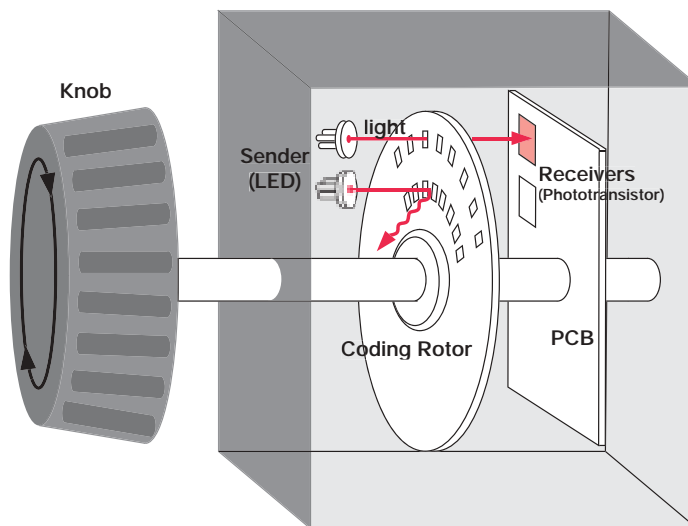
- special type of shaft (length)
- special torque
- panel mounting
- shaft diameter
- with or without push button
- electronic option

Designation	Switching torque	24 detent	32 detent
With integrated push button function (5N)	0,45 N	E50-1211-000X	----
	0,6 N	----	E50-2213-000X
	1,3 N	----	E50-2214-000X
	1,5 N	E50-1212-000X	----

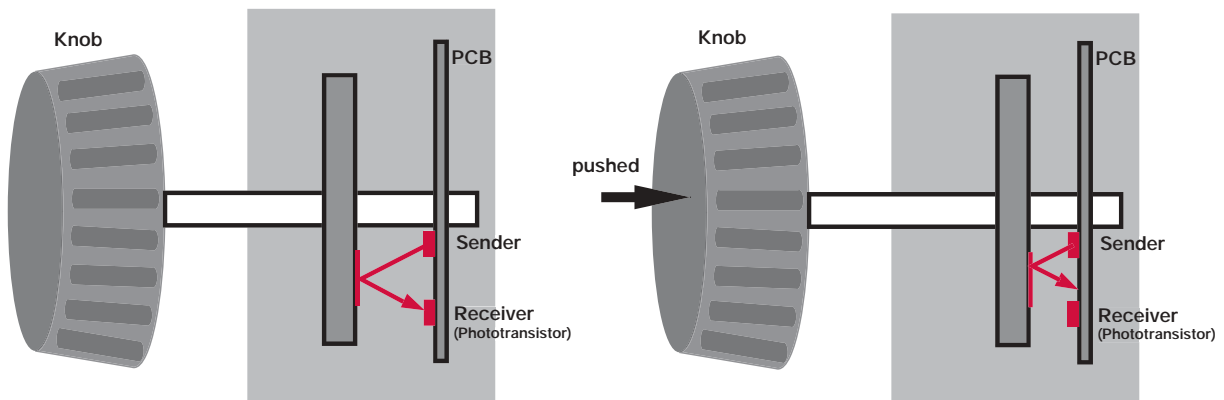
packing unit: 10 pieces

Optical through-light and reflection system

Rotation through-light system



Push-button reflection system



1 mm = 0.04 inch, 1 inch = 25.4 mm

Items available from stock!