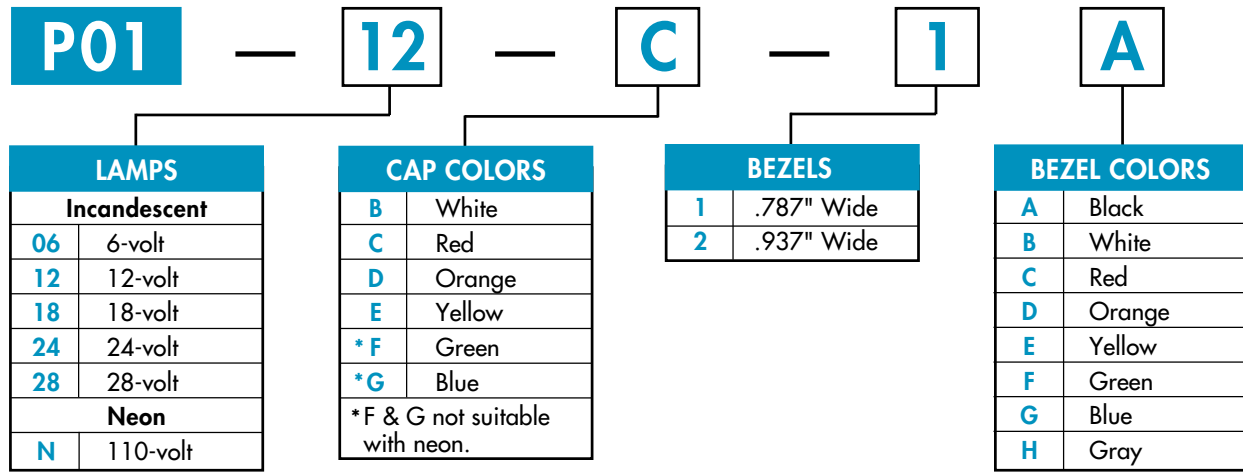


TYPICAL INDICATOR ORDERING EXAMPLE



DESCRIPTION FOR TYPICAL ORDERING EXAMPLE

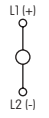
P01-12-C-1A



LAMP CODES & SPECIFICATIONS

Incandescent & Neon Lamp for Solid and Design Caps

AT602		06	12	18	24	28	N		
<p>T-1½ Pilot Slide Base</p>	Voltage	V	6V	12V	18V	24V	28V	110V	
	Current	I	80mA	50mA	35mA	25mA	22mA	1.5mA	
	MSCP		.159	.215	.398	.215	.247	NA	
	Endurance	Hrs	2,000 average					25,000 average	
	Ambient Temp Range		-10 ~ +50°C						
	Recommended Resistor for Neon: 33K ohms for 110V AC 100K ohms for 220V AC								
Electrical specifications are determined at a basic temperature of 25°C. For dimension drawings of lamps see Accessories & Hardware Index (page Y1). If the source voltage is greater than rated voltage, a ballast resistor is required. The ballast resistor calculation and more lamp detail are shown in the Supplement; see Supplement Index (page Z1).									



CAP COLORS

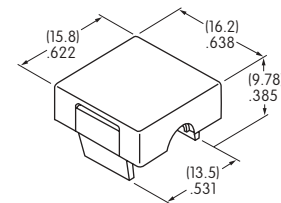
- | | | | | | |
|----------|-------|----------|--------|----------|-------|
| B | White | D | Orange | F | Green |
| C | Red | E | Yellow | G | Blue |

Material: Polycarbonate

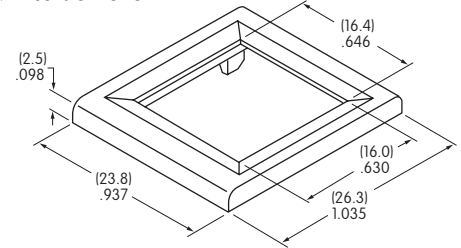
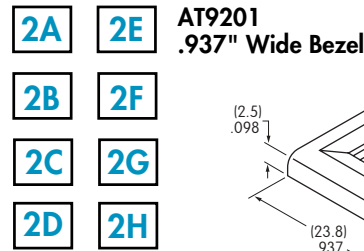
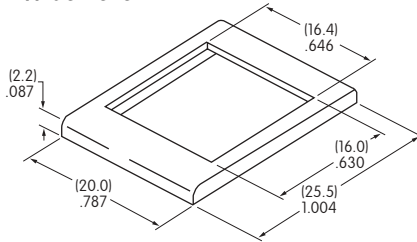
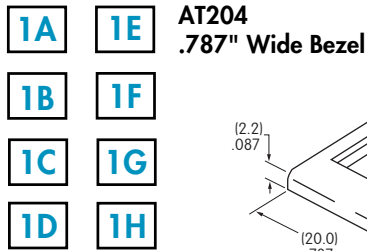
Finish: Glossy

F & G not suitable for neon.

AT429



OPTIONAL BEZELS & COLORS

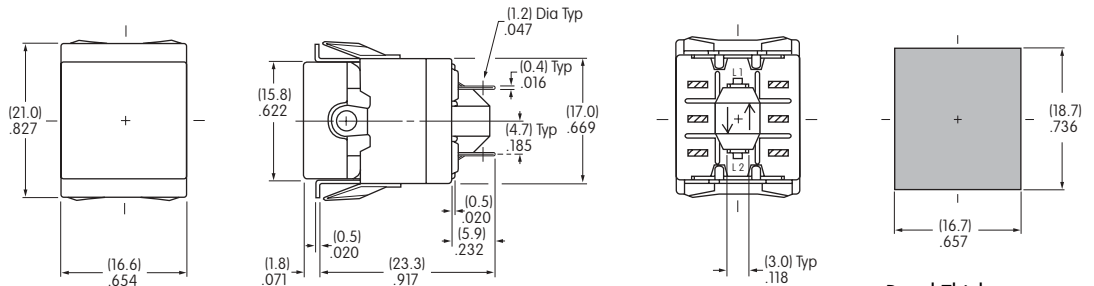


Material: Polycarbonate Standard Finish: Glossy

Color Codes: A Black B White C Red D Orange E Yellow F Green G Blue H Gray

TYPICAL INDICATOR DIMENSIONS

Without Bezel

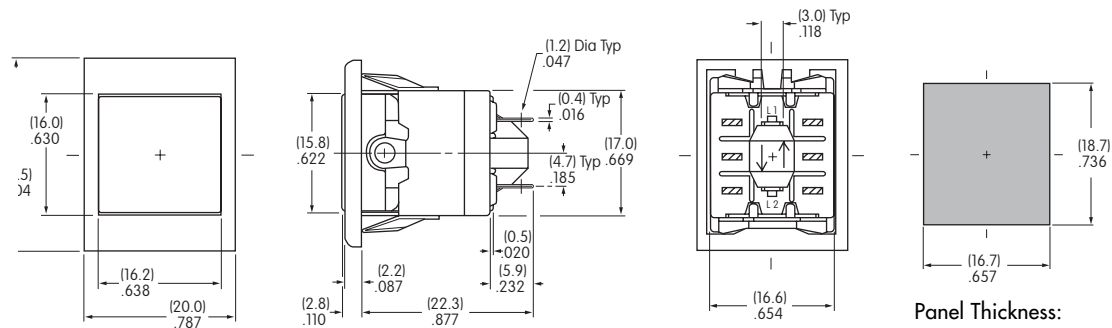


Panel Thickness:
1mm ~ 4mm
(.039" ~ .157")

P01-12-C

The .047" diameter hole accommodates one solid 18-gauge wire.

With Bezel

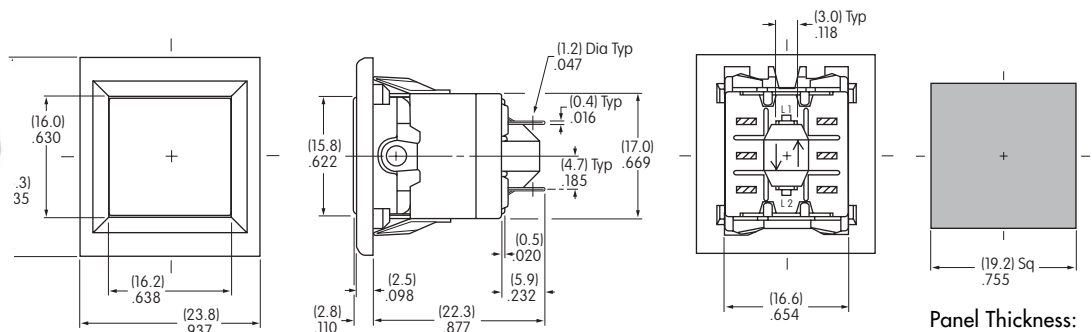


Panel Thickness:
1mm ~ 3mm
(.039" ~ .118")

P01-12-C-1A

The .047" diameter hole accommodates one solid 18-gauge wire.

With Large Bezel



Panel Thickness:
1mm ~ 3mm
(.039" ~ .118")

P01-12-C-2A

The .047" diameter hole accommodates one solid 18-gauge wire.