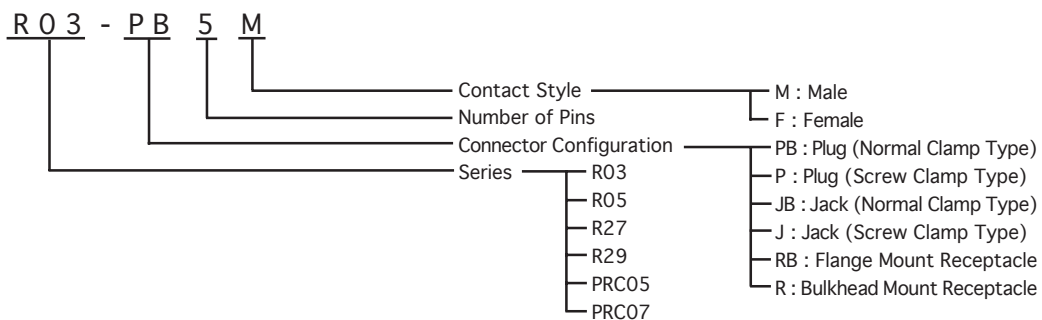


# Miniature Circular Connectors Specifications

R03 series / R05 series / R27 series / R29 series / PRC05 series / PRC07 series

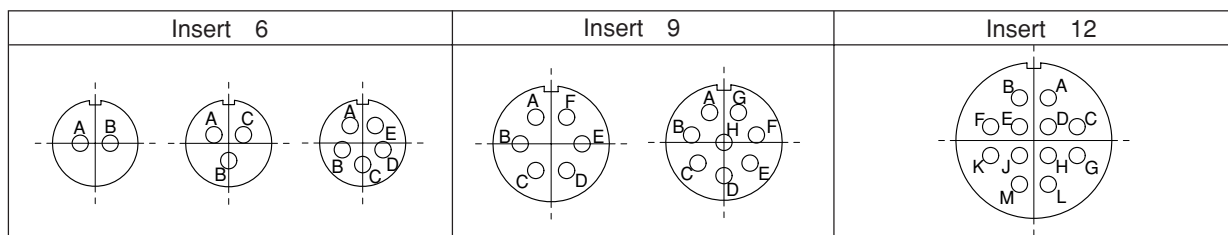
## Part Numbering System



## Electrical Specifications

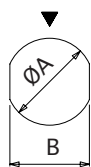
Series	R03, R05, PRC05						R27, R29, PRC07	
Insert Size	6			9		12	6	9
Number of Contacts	2	3	5	6	8	12	8	12
Withstanding Voltage (V RMS)	900	900	500	900	700	900	300	
Voltage Rating (V RMS)	300	300	150	300	200	300	100	
Current Rating (A)	2							
Applicable Wire Size	AWG#24 (0.2mm <sup>2</sup> Max.)						AWG#26 (0.1mm <sup>2</sup> Max.)	
Contact Resistance	8mΩ min.						10mΩ min.	
Insulation Resistance	DC500V 1000MΩ min.						DC100V 1000MΩ min.	

## Insert Arrangement



\* Drawings above are ones viewed from the rear side of pin insulators. (pin contacts)

## Mounting Hole Dimensions

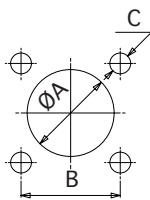


Style 1

### Bulkhead Mount Receptacle

Insert Size	Style	φA	B
6	1	9.2	8.4
9		12.2	11.2
12		16.2	14.7

\* R27, R29 and PRC07 are not available in insert size 12.



Style 2

### Flange Mount Receptacle

Insert Size	Style	φA	B	C
6	2	9.2	10.5	φ2.2
9		12.2	13.0	φ2.2
12		16.2	17.0	φ2.2

\* R27, R29 and PRC07 are not available in insert size 12.