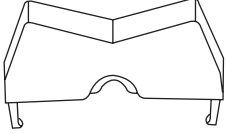

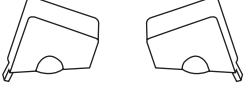



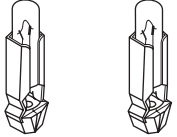

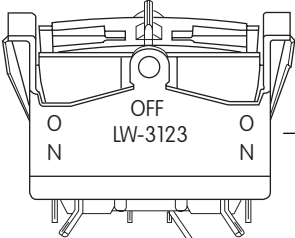



Rocker			AT420
Filter			AT421
Lamp Cover			AT416
Lamp			AT602 AT602N
Basic Switch			Basic Switch LW3122 LW3123 LW3125 LW3128 LW3129

GENERAL SPECIFICATIONS

Electrical Capacity

Resistive Load: 10A @ 125V AC, 6A @ 250V AC, or 6A @ 30V DC
Inductive Load: 5A @ 125V AC (P.F. @ .60)

Other Ratings

Contact Resistance: 10 milliohms
Insulation Resistance: 200 megohms minimum @ 500V DC
Dielectric Strength: 1,500V AC minimum
Mechanical Life: 30,000 operations minimum
Electrical Life: 10,000 operations minimum
Operating Temp Range: -15°C through +50°C (+5°F through +122°F)
Nominal Operating Force: 1,200 grams for maintained & 1,800 grams for momentary

Materials & Finishes

Housing: Steel with chrome plating
Movable Contacts: Silver clad copper with silver plating
Stationary Contacts: Copper with silver plating
Base: Phenolic resin
Common Terminal: Copper with silver plating
End Terminals: Brass with silver plating
Lamp Terminals: Phosphor bronze with nickel plating

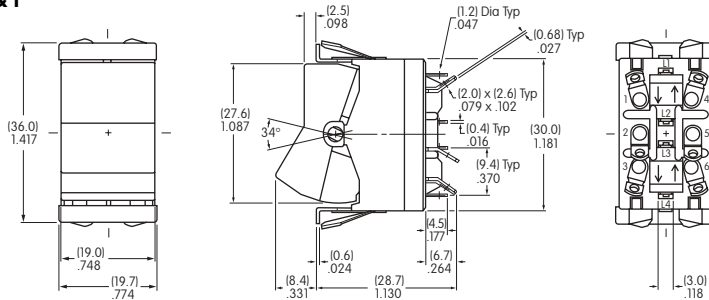
Standards & Certifications

UL Recognized: All models recognized at 10A @ 125V AC and 6A @ 250V AC; UL File No. E44145
 Add "U" to end of part number to order UL mark on switch.

BASIC SWITCH

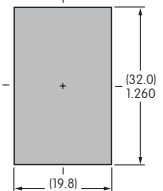
		Rocker Position () = Momentary			Connected Terminals			Terminals
Model	Pole	Up	Center	Down	Up	Center	Down	Terminal numbers are not actually on the switch.
LW3122 LW3123 LW3125 LW3128 LW3129	DP	ON ON ON (ON) ON	NONE OFF NONE OFF OFF	ON ON (ON) (ON) (ON)	2-3 5-6	OPEN	2-1 5-4	Solder Lug
Throw & Power/Lamp Schematics		DPDT						Lamp circuit is isolated and requires external power source.

LW3122 with AT602-12V, AT420J Clear Rocker & 2 Cap Filters AT421C & F



Actuator in Up position.

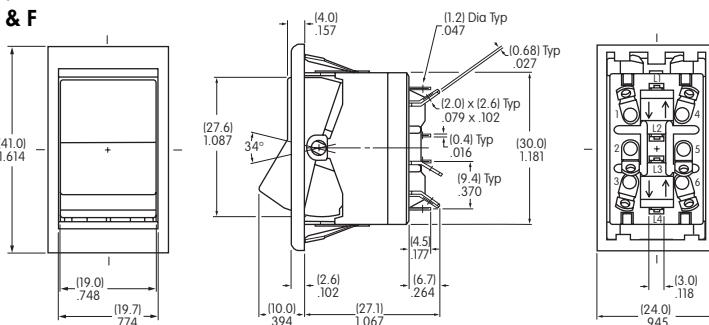
Wiring Power Terminal
 .079" X .102" hole accommodates 1 solid or stranded 14-gauge wire or 2 18-gauge wires.



Wiring Lamp Terminal
 .047" dia. hole accommodates 1 solid 18-gauge wire.

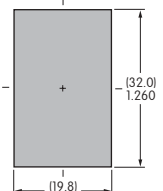
Panel Thickness: 1.0 ~ 4.0 mm (.039 ~ .157")

LW3122 with AT602-12V, AT420B White Rocker & 2 Lamp Filters AT416C & F



Actuator in Up position.

Wiring Power Terminal
 .079" X .102" hole accommodates 1 solid or stranded 14-gauge wire or 2 18-gauge wires.



Wiring Lamp Terminal
 .047" dia. hole accommodates 1 solid 18-gauge wire.

Panel Thickness: 1.0 ~ 3.0 mm (.039 ~ .118")

LAMPS & ELECTRICAL SPECIFICATIONS

Electrical specifications are determined at a basic temperature of 25°C. If source voltage exceeds lamp's rated voltage a ballast resistor is required (calculation in Supplement; see page Z1). Dimension drawings in Accessories & Hardware section; see page Y1.

Incandescent & Neon Lamps for Caps AT420B & AT420J

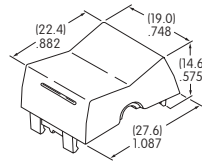
AT602	AT602N	Part Number	Lamp Type	Voltage	Current	Average Endurance
		AT602-6V	Incandescent	6V	80mA	2,000 hours
		AT602-12V	Incandescent	12V	50mA	2,000 hours
		AT602-18V	Incandescent	18V	35mA	2,000 hours
		AT602-24V	Incandescent	24V	25mA	2,000 hours
		AT602-28V	Incandescent	28V	22mA	2,000 hours
		AT602N	Neon	110V	1.5mA	25,000 hours

T-1 1/2 Pilot Slide Base



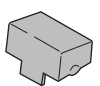




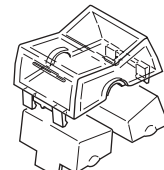
Neon not for green lamp cover or blue and green filters. Recommended Resistors: 33K ohms for 110V AC; 100K ohms for 220V AC

CAP & FILTER COLORS

AT420B
White Rocker Only



No Filters

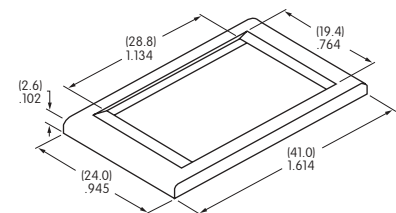
White Rocker with Optional Filters		Up Position Filter & Color	Down Position Filter & Color
AT420B White Rocker  Polycarbonate	Cap Filters   AT421 Material: Polycarbonate	AT421B White AT421C Red AT421D Orange AT421E Yellow AT421F Green AT421G Blue	AT421B White AT421C Red AT421D Orange AT421E Yellow AT421F Green AT421G Blue
	Lamp Filters   AT416 Material: Silicon Rubber	AT416C Red AT416D Orange AT416F Green	AT416C Red AT416D Orange AT416F Green
Clear Rocker with Cap Filters		Up Position Filter & Color	Down Position Filter & Color
AT420J Clear Rocker  Polycarbonate	  AT421 Material: Polycarbonate	AT421B White AT421C Red AT421D Orange AT421E Yellow AT421F Green AT421G Blue	AT421B White AT421C Red AT421D Orange AT421E Yellow AT421F Green AT421G Blue

For dimensions of AT416 & AT421 see Accessories & Hardware Index (page Y1).

OPTIONAL BEZEL

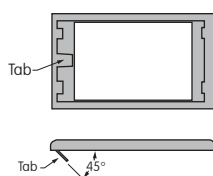
- | | |
|----------------------|----------------------|
| AT206A Black | AT206E Yellow |
| AT206B White | AT206F Green |
| AT206C Red | AT206G Blue |
| AT206D Orange | AT206H Gray |

Material: Polycarbonate

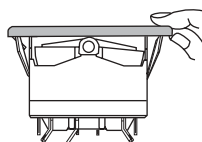


Bezel Assembly & Relamping

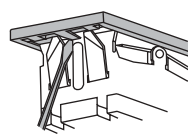
To attach bezel:



1. Pry out tab on bezel to a 45° angle.



2. Insert switch frame under tab and snap on bezel.



3. Push tab back into place.

Lamps can be changed without removing the switch from the panel.

AT107 Relamping Tool is available.

See Accessories & Hardware section (page Y1).

