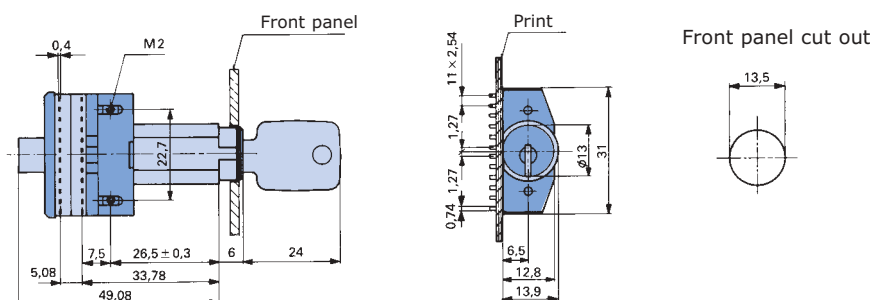


Keylock Switches Type 08

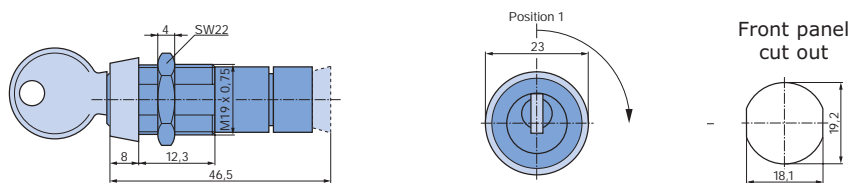
- custom locking functions according to your requirements
- keys sold separately



Our Application Engineers are looking forward to help you

Keylock Switches "Easy-Key"

- very rugged with security lock
- ideal for panel mounting
- incl. 2 keys



Indexing angle 30°

Δ = Key withdrawable • = Key not withdrawable

Functions (Pole x Position)	Switching positions					Order number
	1	2	3	4	5	
2 x 4 u.	Δ	•	•	•		01E1241-KC
2 x 5 u.	Δ	•	•	•	•	01E1251-KL

Indexing angle 60°

Functions (Pole x Position)	Switching positions			Order number
	1	2	3	
2 x 2 u.	Δ	•		01E1221-KP
	Δ	Δ		01E1221-MK
2 x 3 u.	Δ	•	•	01E1231-KR
	Δ	Δ	Δ	01E1231-ML

1 mm = 0.04 inch, 1 inch = 25.4 mm

Technical Data and Modified Versions see page 139-142
Items available from stock!