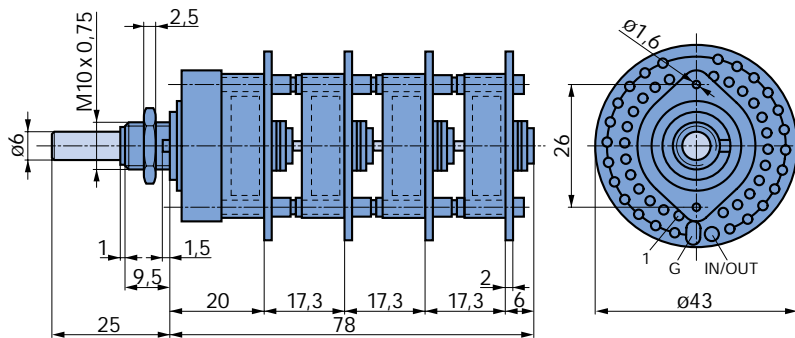


# Audio Switches Series R

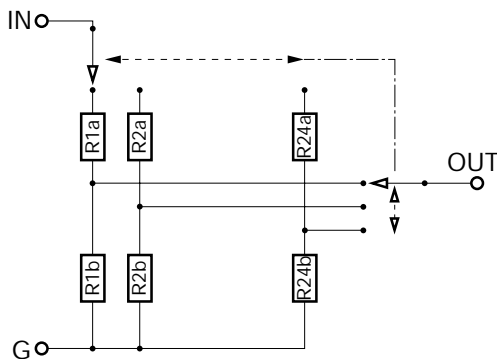
## 2-channel version



Front-panel cut out

resistors not included

## Circuit diagram



## Description

High quality ladder attenuator with low contact bounce (resistors not included)

Overall dimension  
 $\varnothing$  43 mm

Panel mounting  
 M 10 x 0,75  
 Two-hole mounting  
 Mounting hole distance 26 mm  
 Mounting screws M 2

Indexing angle  
 15° = 24 switching positions  
 With stop  
 Switching torque 8 Ncm

Switching mode  
 Shorting

Contact material  
 Hard gold 3  $\mu$ m

Resistance  
 Can be populated with any value resistors.