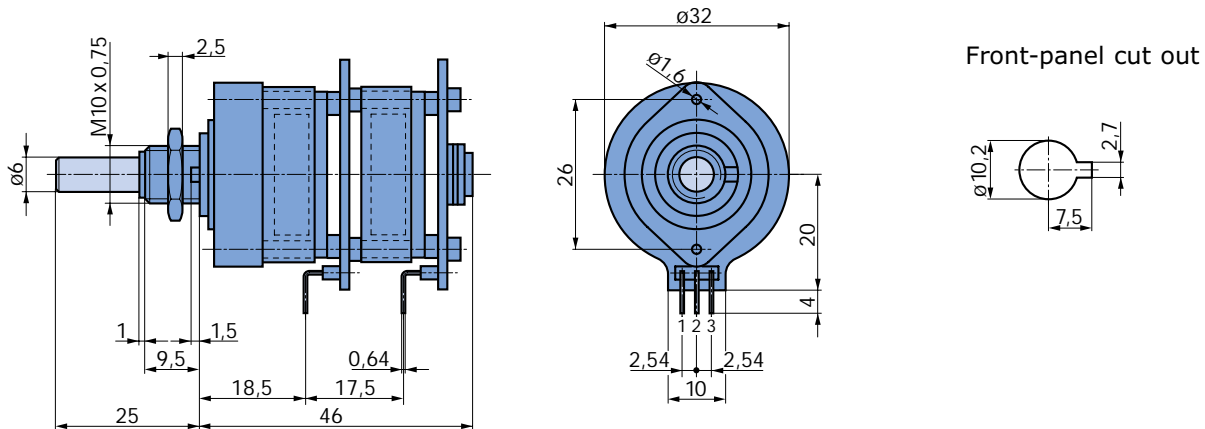
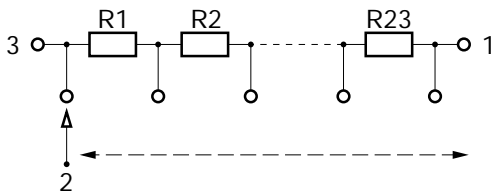


Audio Switches Series N

2-channel version



Circuit diagram



Description

High quality Series attenuator with low contact bounce (SMD metal film resistors included)

Overall dimension
ø 36 mm

Panel mounting
M 10 x 0,75
Two-hole mounting
Mounting hole distance 26 mm
Mounting screws M 2

Indexing angle
15° = 24 switching positions
With stop
Switching torque 1,5 Ncm

Switching mode
Shorting

Contact material
Hard gold 3 µm

Resistance
Populated with non-inductive low noise SMD metal film resistors.
Range: 10kΩ, 20kΩ, 50kΩ, 100kΩ and 500 kΩ