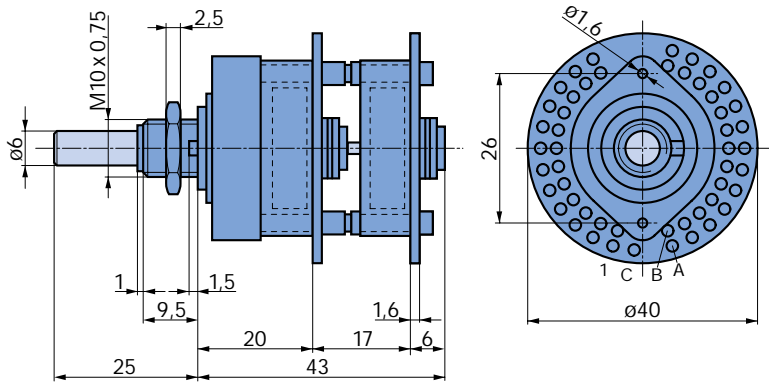
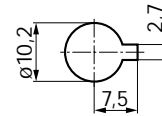


Audio Switches Series A

2-channel version

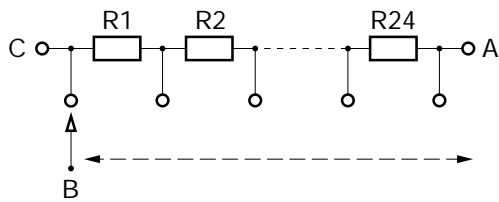


Front-panel cut out



resistors not included

Circuit diagram



Description

High quality Series attenuator with low contact bounce (resistors not included)

Overall dimensions
 \varnothing 40 mm

Panel mounting
 M 10 x 0,75
 Mounting hole distance 26 mm
 Mounting screws M 2

Indexing angle
 $15^\circ = 24$ switching position
 With stop
 Switching torque 4 Ncm

Switching mode
 Shorting

Contact material
 Hard gold $3 \mu\text{m}$

Resistance
 Can be populated with any value resistors