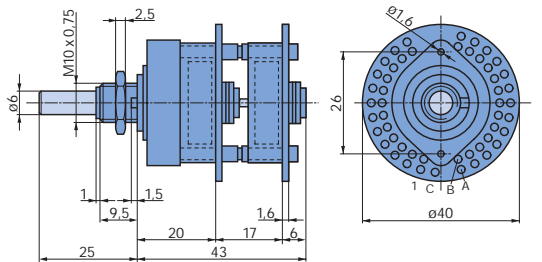


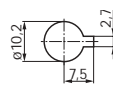
Audio Switches Series A

- 24 position switch
- compact high grade attenuator with low switching torque
- test report available
- series attenuator

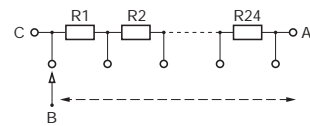
resistors not included



Front panel cut out



Circuit diagram

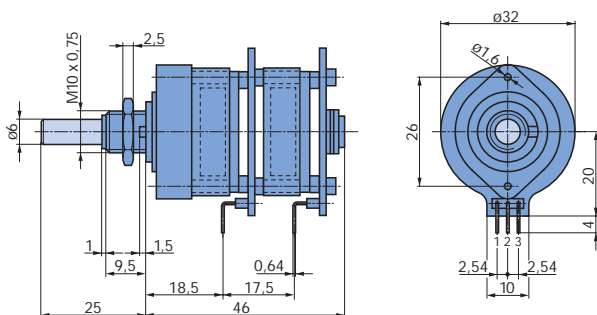


Switching function	Resistance	1-channel version	2-channel version
shorting	any	04A1A00	04A2A00

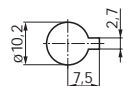
packing unit: 10 pieces

Audio Switches Series N

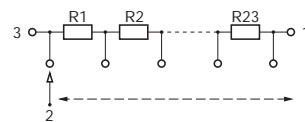
- 24 position switch
- finished high quality attenuator with low switching torque
- test report available
- loaded with low inductance SMD metal film resistors



Front panel cut out



Circuit diagram



Switching function	Resistance	1-channel version	2-channel version
shorting	10 kΩ	04A1N01	04A2N01
shorting	50 kΩ	04A1N05	04A2N05
shorting	100 kΩ	04A1N10	04A2N10

packing unit: 10 pieces