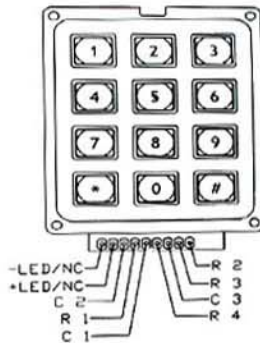
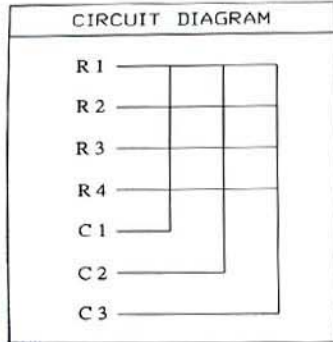


GENERAL SPECIFICATION

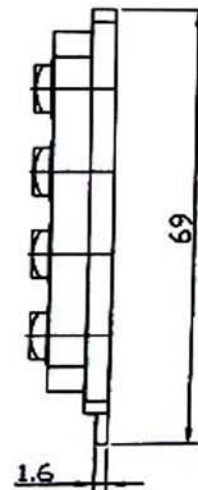
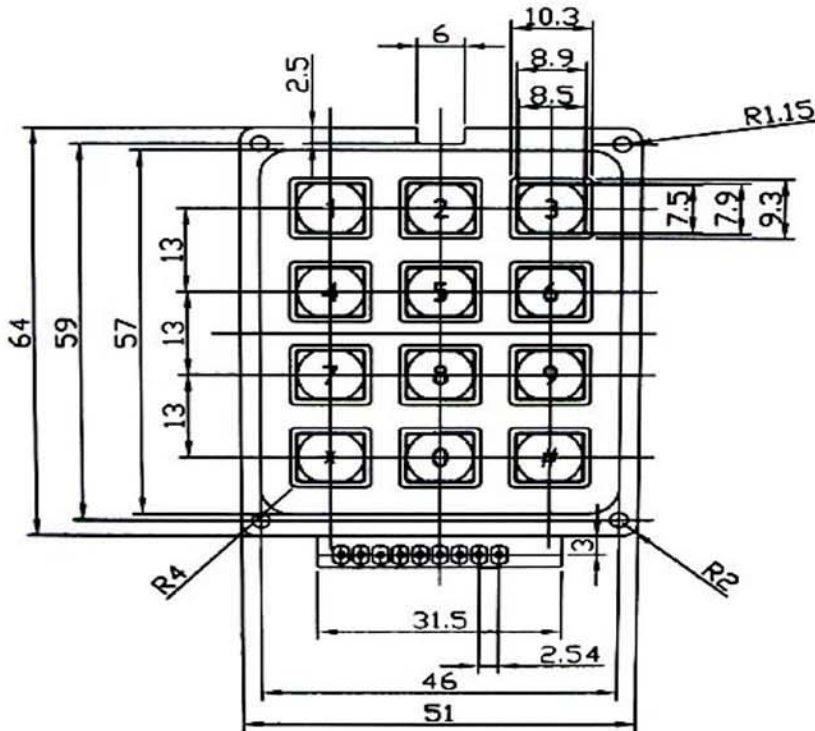
- Contact rating : 20mA, 24VDC
- LED Contact rating : $V_{max}=4.0V, V_{nom}=3.5V$
- Contact resistance : 200 ohm max
- Life : 2,000,000 cycles per key
- Operating Temperature : $-20^{\circ}C$ to $+60^{\circ}C$
- Storage Temperature : $-40^{\circ}C$ to $+65^{\circ}C$



AK-304-N-SSL-WP-MM



ACTUATING FORCE: 120 ± 30 GRAMS.
STROKE: $1.4 + 0.4$ mm.



ACCORD CO., LTD.

8th Fl., No. 398, Jen Ai Road, Sec. 4, Taipei, Taiwan.

Tel: 886-2-2704-4503

Fax: 886-2-2703-6358

E-mail: accordia@ms4.hinet.net

<http://www.accordia.com.tw>