

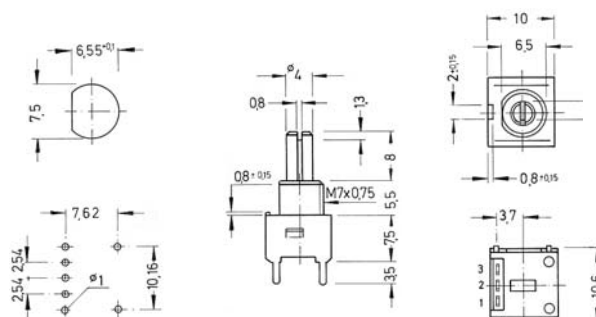
# Rotary Pulse Switches

## Specifications:

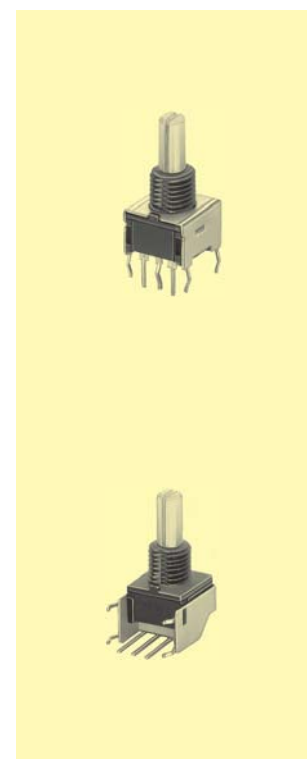
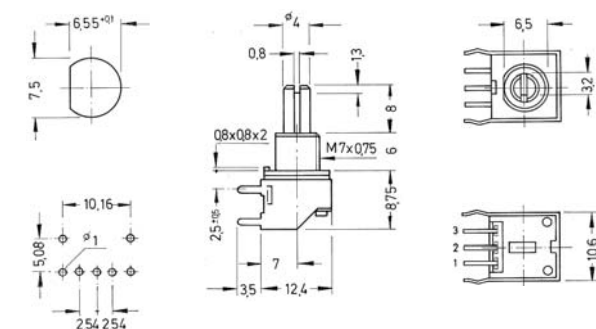
Contact rating:	5 V DC, 10 mA
Contact resistance:	< 100 mΩ
Insulation resistance:	> 100 MΩ
Dielectric strength:	250 V, 50 Hz for the duration of 1 minute
Operating temperature:	- 25° to + 70° C
Mechanical life:	minimum 10 000 operations
Contacts:	phosphor bronze, gold-plated
Terminals:	PC terminals
Material:	case: PBT black; frame: steel, tin-plated; rotor: PA
Mounting:	on pc-board or single hole mounting, bushing M 7 x 0,75, key 11 mm
Soldering conditions:	auto-soldering – max.: 5 sec, 250° C ± 5° C

## Models:

MRP 1 – 20



MRP 1 – 20 – R



Mounting set for single hole mounting

1 nut M 7 x 0,75, key 11 mm

1 washer Ø 12 mm

Order number

RR 775

Circuit diagram – 20 pulses/circle ± 2 pulses

Contact between pulse	Angle				
	0	18°	36°	324°	342° 360°
2-1 on					
2-1 off					
2-3 on					
2-3 off					

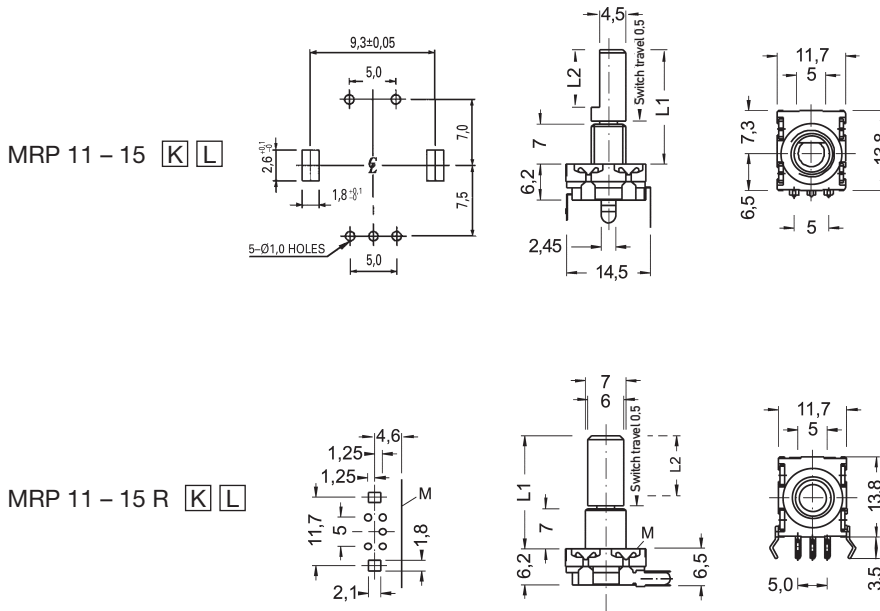


# Rotary Pulse Switches

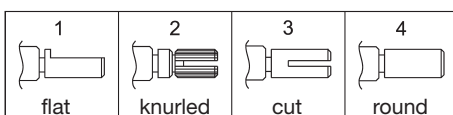
## Specification:

Contact rating:	5 V DC, 10 mA
Contact resistance:	< 100 mΩ
Insulation resistance:	> 100 MΩ
Dielectric strength	250 V/1 mA
Operating temperature:	-20° to +85° C
Rotate force:	0,5 N to 2 N with detend, max. 0,5 N without detend
Operating force:	5-6 N
Switch travel:	0,5 mm
Mechanical life:	15 000 cycles
Pulse / circle:	15
Soldering conditions:	max.: 3 sec, 260° C

## Models:



## Shaft K:



other versions on request

## Length L:

L:	A	B	C
L1:	15	20	25
L2:	7	10	12

other versions on request

## Signal output

