

# Miniature Rotary Switches

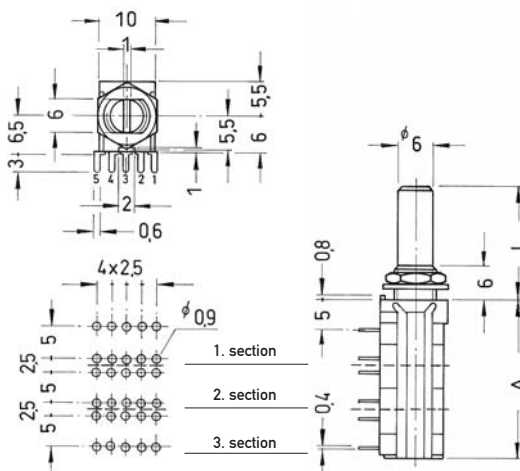
## Specifications:

Contact rating:	16 V DC, 100 mA
Contact resistance:	< 50 mΩ
Insulation resistance:	> 100 MΩ at 500 V DC
Dielectric strength:	500 V, 50 Hz for the duration of 1 minute
Operating temperature:	- 20° to + 80° C
Mechanical life:	minimum 10 000 operations
Contacts:	gold
Material:	case: PBT with glass fibre 30%; shaft: PA or aluminium
Angle between 2 positions:	30°
Mounting:	on pc-board or front panel, bushing M 7 x 0,75, key 10 mm
Soldering conditions:	max.: 3 sec, 230° C ± 5° C

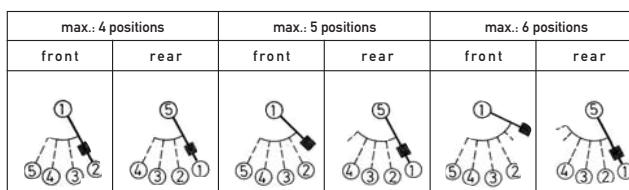
## Models:

MRS 10 H

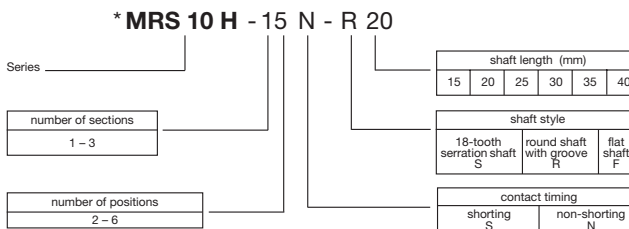
Measure A:  
 1 section 12,0 mm  
 2 sections 19,5 mm  
 3 sections 27,0 mm



## Circuit diagram:



## Ordering code:



\* Non-stock item; minimum quantity and delivery time on request.



# Miniature Rotary Switches

## Specifications:

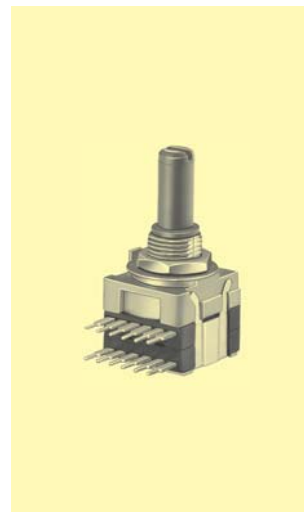
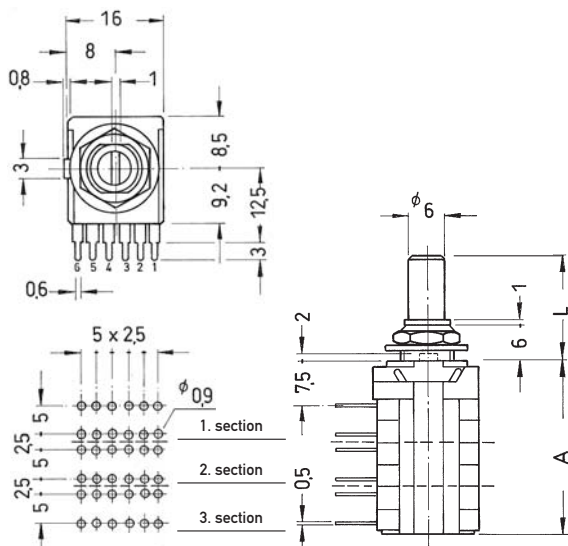
Contact rating:	16 V DC, 300 mA
Contact resistance:	< 50 mΩ
Insulation resistance:	> 100 MΩ at 500 V DC
Dielectric strength:	500 V, 50 Hz for the duration of 1 minute
Operating temperature:	- 20° to + 80° C
Mechanical life:	minimum 10 000 operations
Contacts:	gold
Material:	case: PBT with glass fibre 30%; shaft: PA or aluminium
Angle between 2 positions:	30°
Mounting:	on pc-board or front panel, bushing M 9 x 0,75; key 12 mm;
Soldering conditions:	max.: 3 sec, 230° C ± 5° C

## Models:

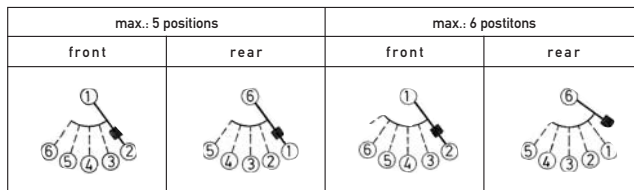
MRS 16 H

Measure A:

- 1 section 15,0 mm
- 2 sections 22,5 mm
- 3 sections 30,0 mm

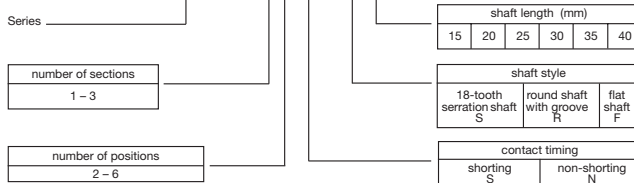


## Circuit diagram:



## Ordering code:

\* MRS 16 H - 15 N - R 20



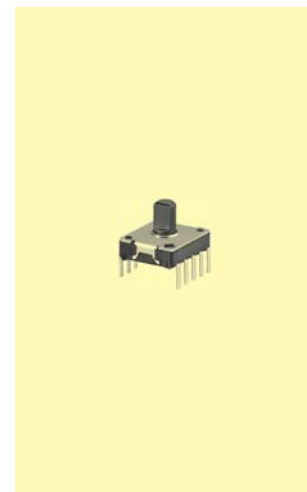
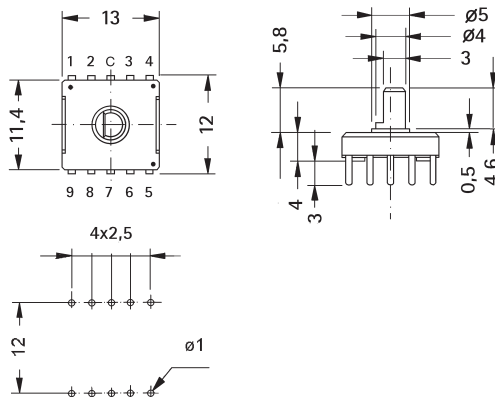
\* Non-stock item; minimum quantity and delivery time on request.

# Miniature Rotary Switches

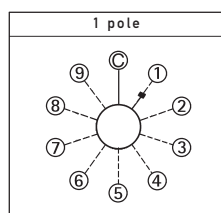
## Specifications:

Contact rating:	16 V DC, 100 mA
Contact resistance:	< 50 mΩ
Insulation resistance:	> 100 MΩ at 500 V DC
Dielectric strength:	100 V, 50 Hz for the duration of 1 minute
Operating temperature:	- 20° to + 80° C
Mechanical life:	minimum 10 000 operations
Contacts:	gold
Material:	case: PBT with glass fibre 30%; shaft: PA, flat
Angle between 2 positions:	40°, 9 positions
Mounting:	on pc-board
Contact timing:	non-shorting
Soldering conditions:	max.: 3 sec, 260° C
Operating force:	250 ± 100 gf. cm

<b>Models:</b>	Poles
MRS 12 V - 19	1



Circuit diagram:





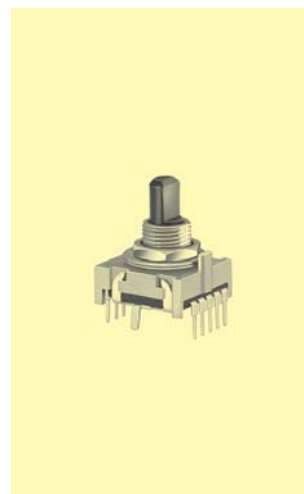
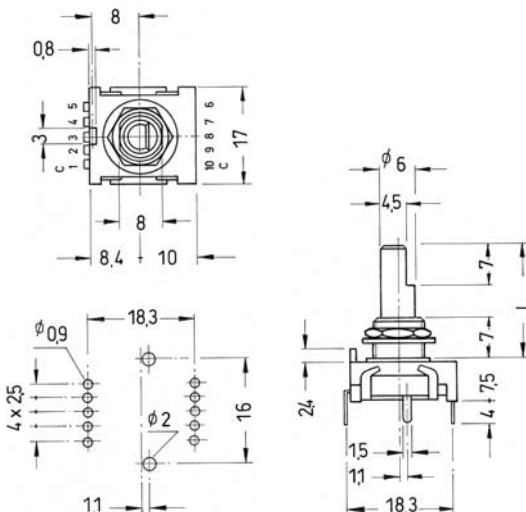
# Miniature Rotary Switches

## Specifications:

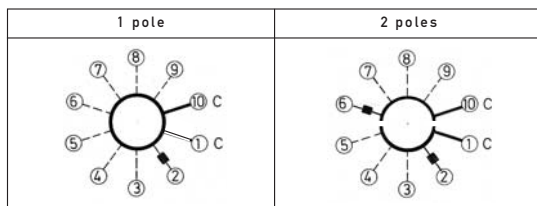
Contact rating:	16 V DC, 300 mA
Contact resistance:	< 50 mΩ
Insulation resistance:	> 100 MΩ at 500 V DC
Dielectric strength:	100 V, 50 Hz for the duration of 1 minute
Operating temperature:	- 20° to + 80° C
Mechanical life:	minimum 10 000 operations
Contacts:	gold
Material:	case: PBT with glass fibre 30%; shaft: PA or aluminium, flat
Angle between 2 positions:	30°
Mounting:	on pc-board or front panel, bushing M 9 x 0,75, key 12 mm
Contact timing:	non-shorting
Soldering conditions:	max.: 3 sec, 260° C

## Models:

MRS 18 V



## Circuit diagram:



## Ordering code:

\* MRS 18 V - 15 N - F 25 - 1

Series				
number of poles	1 - 2	shaft material	mgld 1    aluminium 2	
number of positions	2 - 8	shaft length (mm)	15    20    25	
contact timing	shorting S    non-shorting N	shaft style	18-tooth serration shaft S    round shaft with groove R    flat shaft F	

\* Non-stock item; minimum quantity and delivery time on request

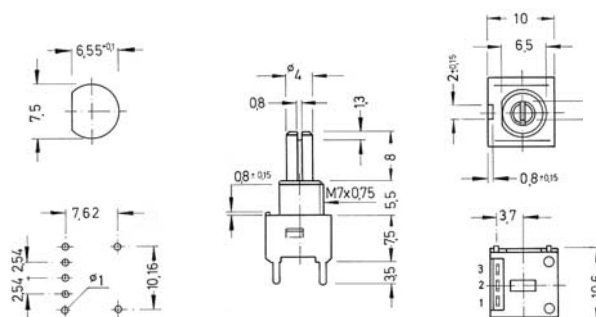
# Rotary Pulse Switches

## Specifications:

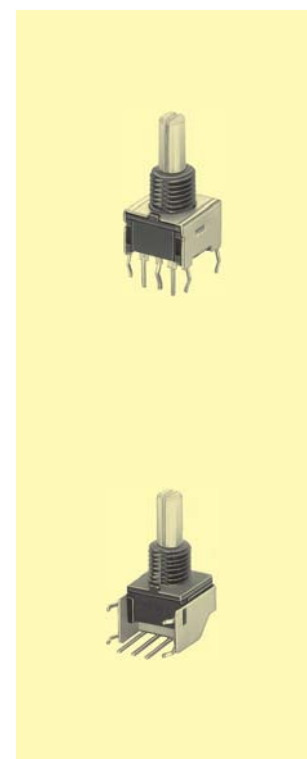
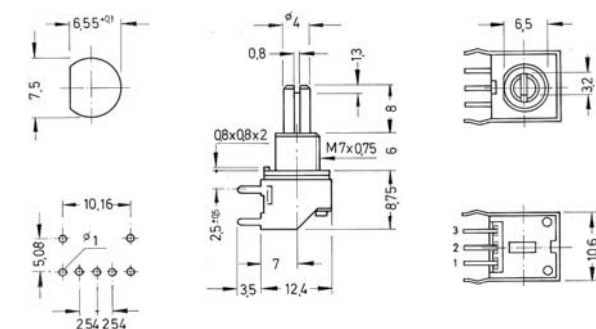
Contact rating:	5 V DC, 10 mA
Contact resistance:	< 100 mΩ
Insulation resistance:	> 100 MΩ
Dielectric strength:	250 V, 50 Hz for the duration of 1 minute
Operating temperature:	- 25° to + 70° C
Mechanical life:	minimum 10 000 operations
Contacts:	phosphor bronze, gold-plated
Terminals:	PC terminals
Material:	case: PBT black; frame: steel, tin-plated; rotor: PA
Mounting:	on pc-board or single hole mounting, bushing M 7 x 0,75, key 11 mm
Soldering conditions:	auto-soldering – max.: 5 sec, 250° C ± 5° C

## Models:

MRP 1 – 20



MRP 1 – 20 – R



Mounting set for single hole mounting

1 nut M 7 x 0,75, key 11 mm

1 washer Ø 12 mm

Order number

RR 775

Circuit diagram – 20 pulses/circle ± 2 pulses

Contact between pulse	Angle				
	0	18°	36°	324°	342° 360°
2-1 on					
2-1 off					
2-3 on					
2-3 off					

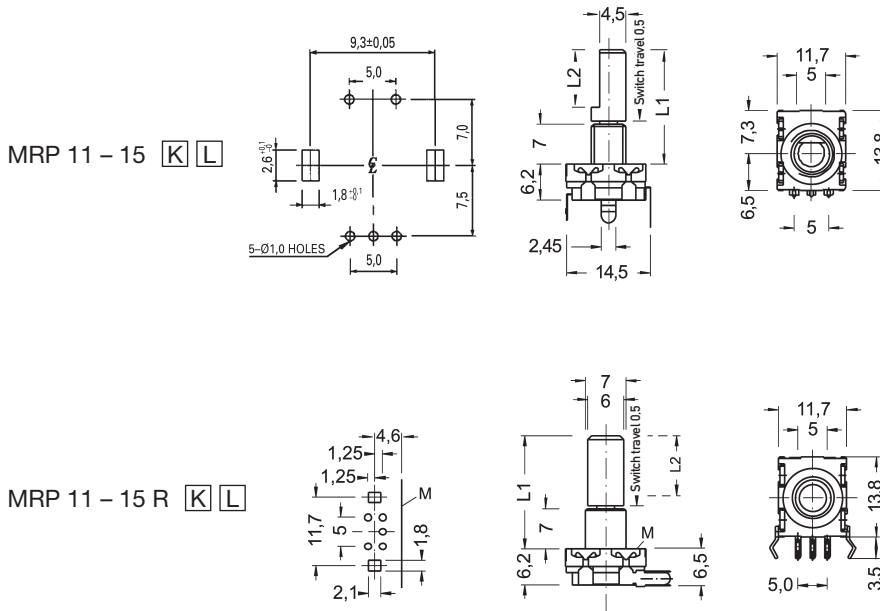


# Rotary Pulse Switches

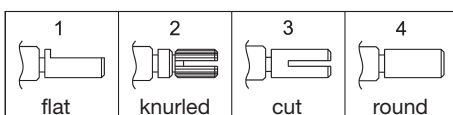
## Specification:

Contact rating:	5 V DC, 10 mA
Contact resistance:	< 100 mΩ
Insulation resistance:	> 100 MΩ
Dielectric strength	250 V/1 mA
Operating temperature:	-20° to +85° C
Rotate force:	0,5 N to 2 N with detend, max. 0,5 N without detend
Operating force:	5-6 N
Switch travel:	0,5 mm
Mechanical life:	15 000 cycles
Pulse / circle:	15
Soldering conditions:	max.: 3 sec, 260° C

## Models:



## Shaft K:



other versions on request

## Length L:

L:	A	B	C
L1:	15	20	25
L2:	7	10	12

other versions on request

## Signal output

