

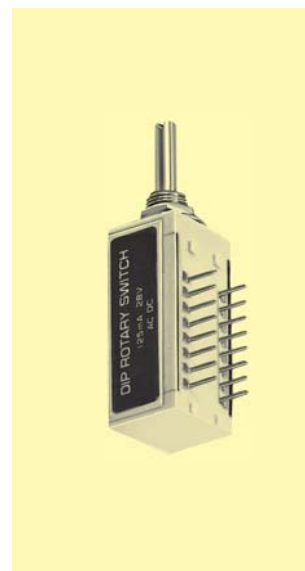
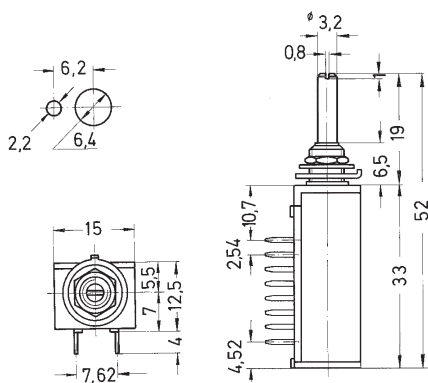


Miniature Rotary Switches

Specifications:

Contact rating:	28 V AC/DC, 125 mA
Contact resistance:	< 200 mΩ
Insulation resistance:	> 100 MΩ at 500 V DC
Dielectric strength:	500 V, 50 Hz for the duration of 1 minute
Operating temperature:	- 20° to + 85° C
Mechanical life:	> 10 000 operations
Contacts:	phosphor bronze, 2 μm gold-plated
Terminals:	PC terminals
Material:	case: phenolformaldehyde, white shaft: brass, nickel-plated
Contact timing:	non-shorting
Angle between 2 positions:	30°
Mounting:	on pc-board or front panel, bushing 1/4" – 40 THD, key 8 mm

Models	Poles	Positions
DRS 1 – 12	1	12
DRS 2 – 6	2	6
DRS 3 – 4	3	4
DRS 4 – 3	4	3



Pin connection:

View

contact side DRS 1 – 12 DRS 2 – 6 DRS 3 – 4 DRS 4 – 3

