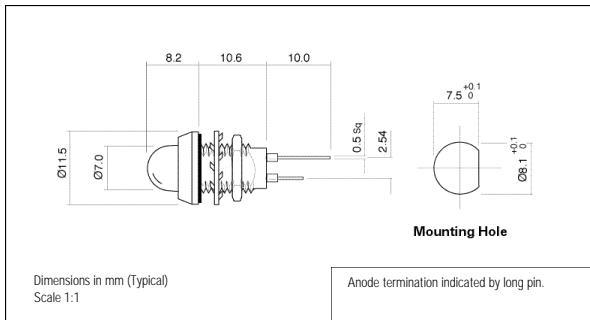
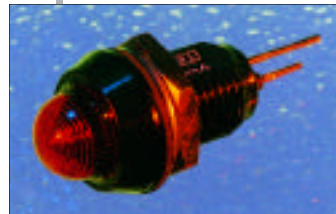


● PROFESSIONAL LED INDICATORS - Ø 8.1mm Mounting



- Black anodised aluminium housing
- Short body length is ideal for portable equipment
- Wide viewing angle
- Sealed to IP67



643 SERIES

MLQ = 10

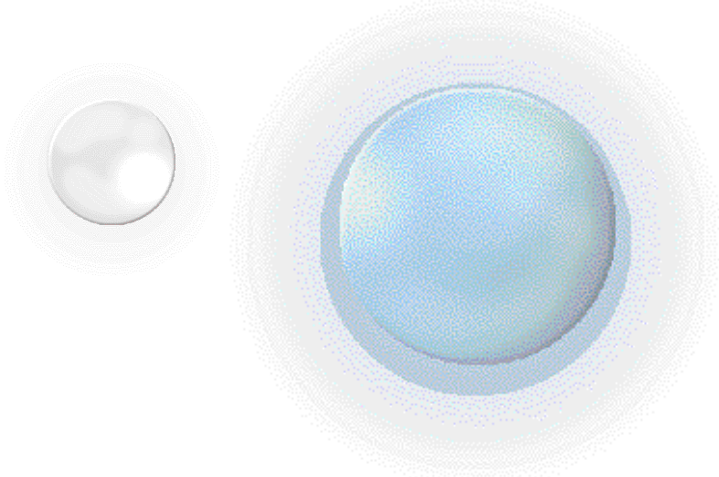


Ordering Information & Typical Technical Characteristics (Ta = 25°C)

Mean Time Between Failure = 100,000 Hours. Luminous intensity figures refer to the unmodified discrete LED.

PART NUMBER	COLOUR	LENS	VOLTAGE DC Vf@20mA	CURRENT DC Iopr	LUMINOUS INTENSITY Iv@20mA	WAVE LENGTH p	VIEWING ANGLE	OPERATING TEMP Topr	STORAGE TEMP Tstg
<b>STANDARD INTENSITY</b>									
643-503-04	Red	Coloured Diffused	2.0	20	110	625	Wide	-20 ~ +60	-30 ~ +85
643-509-04	Yellow		2.1	20	32	575			
643-512-04	Green		2.2	20	50	565			
<b>HIGH INTENSITY</b>									
643-501-04	Red	Coloured Diffused	1.9	20	2750	660	Wide	-20 ~ +60	-30 ~ +85
643-521-04	Yellow		2.0	20	4500	590			
643-532-04	Green		3.4	20	6000	525			
643-930-04	Blue		3.4	20	2000	470			
643-997-04	White		3.4	20	3000	•			
<b>UNITS</b>			<b>Vdc</b>	<b>mA</b>	<b>mcd</b>	<b>nm</b>		<b>°C</b>	<b>°C</b>

• = Typical emission colour: x=0.31, y=0.32. Colour temperature 8000K. Intensities (Iv) and colour shades of white (x,y co-ordinates) may vary between LEDs within a batch.



● FOR NEW PRODUCTS SEE OUR WEBSITE