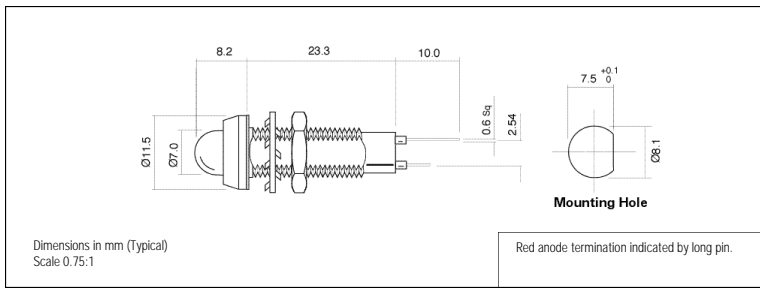


PROFESSIONAL LED INDICATORS - Bi and Tri-colour



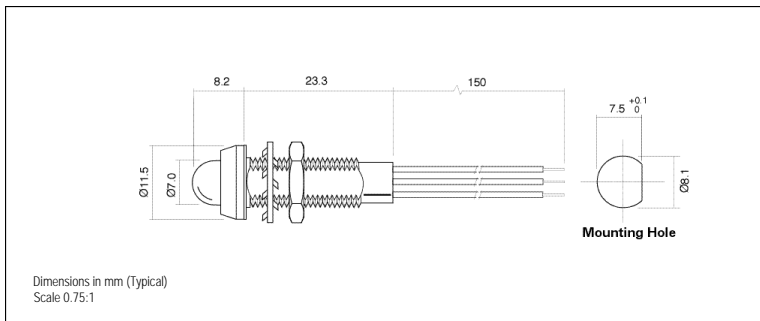
- Black anodised aluminium housing
- Dual state indicator saves panel space and reduces assembly time
- Flying lead terminations available
- Sealed to IP67

614 BI-COLOUR

MLQ = 10

Ordering Information & Typical Technical Characteristics (Ta = 25°C)  
 Mean Time Between Failure = 100,000 Hours. Luminous intensity figures refer to the unmodified discrete LED

PART NUMBER	COLOUR	LENS	VOLTAGE DC Vopr	CURRENT DC Iopr	LUMINOUS INTENSITY I <sub>v</sub> @20mA	WAVE LENGTH p	VIEWING ANGLE	OPERATING TEMP Topr	STORAGE TEMP Tstg
<b>STANDARD INTENSITY</b>									
614-530-04	Red/Green	Water Clear	2.0/2.2*	20	30/20	625/565	Wide	-40 ~ +85	-50 ~ +100
614-530-20	Red/Green		5/6	15/20	30/20	625/565			
614-530-21	Red/Green		12	20	30/20	625/565			
614-530-22	Red/Green		24	20	30/20	625/565			
<b>UNITS</b>			<b>Vdc</b>	<b>mA</b>	<b>mcd</b>	<b>nm</b>		<b>°C</b>	<b>°C</b>



- Black anodised aluminium housing
- Red/amber/green tri-colour indicator
- Supplied complete with colour coded flying leads
- Sealed to IP67

614 TRI-COLOUR

MLQ = 10

Ordering Information & Typical Technical Characteristics (Ta = 25°C)  
 Mean Time Between Failure = 100,000 Hours. Luminous intensity figures refer to the unmodified discrete LED

PART NUMBER	COLOUR	LENS	VOLTAGE DC Vopr	CURRENT DC Iopr	LUMINOUS INTENSITY I <sub>v</sub> @20mA	WAVE LENGTH p	VIEWING ANGLE	OPERATING TEMP Topr	STORAGE TEMP Tstg
<b>STANDARD INTENSITY</b>									
614-535-04-35	Red/Green	Water Clear	2.0/2.2*	20	50/50	625/565	Wide	-40 ~ +85	-50 ~ +100
614-535-20-35	Red/Green		5/6	15/20	50/50	625/565			
614-535-21-35	Red/Green		12	20	50/50	625/565			
614-535-22-35	Red/Green		24	20	50/50	625/565			
<b>UNITS</b>			<b>Vdc</b>	<b>mA</b>	<b>mcd</b>	<b>nm</b>		<b>°C</b>	<b>°C</b>

\* = Voltage DC for 20mA product is Vf@20mA, not Vopr.

Please note - There are two LED die built into these units allowing the colour options as detailed above.  
 Please contact our Sales department for further details of other options available.

SAMPLES AVAILABLE

