

Subminiature Tact Switches for SMT

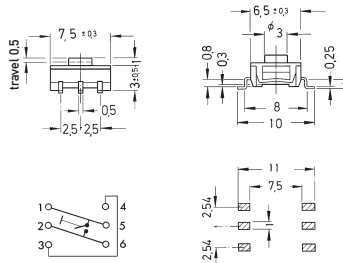


Specifications:

Contact rating:	TMS 1	48 V DC, 50 mA, max. 1 W
	TMS 3 / TMSE 3	24 V DC, 30 mA, max. 0,6 W
Contact resistance:		< 100 mΩ
Insulation resistance:		> 100 MΩ at 100 V DC
Dielectric strength:		250 V, 50 Hz for the duration of 1 minute
Operating temperature:		- 25° to + 70° C
Mechanical life:		minimum 100 000 operations
Contacts:		silver-plated, terminals tin-plated; TMSE 3 with ground terminals
Material:	TMS 1	case: 6TPA resin; button: silicon, black; frame: stainless steel
	TMS 3	case: PA; button: PA, black; frame: stainless steel
	TMSE 3	case: PA washable ; button: silicon, grey; frame: stainless steel
Operating force:	TMS 1 / TMSE 3	2,0 N
	TMS 3	1,2 N
Mounting:		on pc-board – SMD

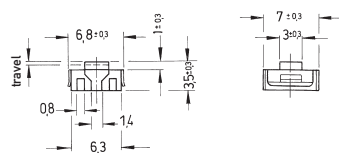
Models: Switching functions

TMS 1
travel 0,5
off – mom



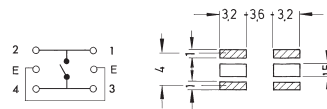
Circuit diagram:

TMS 3
travel 0,25
off – mom



TMSE 3
travel 0,5
off – mom

Circuit diagram:



Soldering conditions: TMS1 reflow-soldering – max.: 40 sec, 220° C
peak temperature: 250° C
TMS3/TMSE3 reflow-soldering – max.: 40 sec., 200° C
peak temperature: 230° C

Packaging see next page



Subminiature Tact Switches

Specifications:

Contact rating:	48 V DC, 50 mA, max. 1 W
Contact resistance:	< 100 mΩ
Insulation resistance:	> 100 MΩ at 100 V DC
Dielectric strength:	250 V, 50 Hz for the duration of 1 minute
Operating temperature:	- 25° to + 70° C
Mechanical life:	minimum 300 000 operations
Contacts:	phosphor bronze, silver-plated
Terminals:	PC terminals
Material:	case: 6TPA resin, washable; frame: stainless steel button: perbunan, black
Mounting:	on pc-board
Soldering conditions:	auto-soldering – max.: 7 sec, 260° C ± 10° C

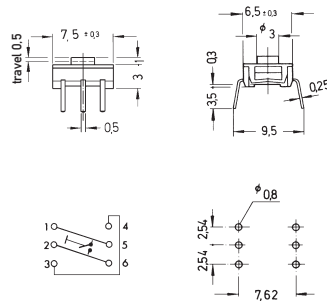
3

Models: Switching functions

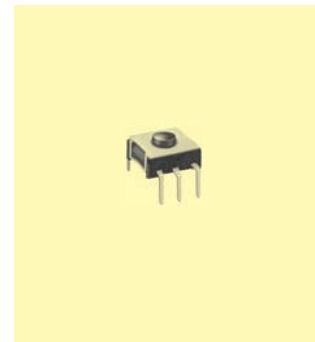
TME 1

off – mom

Circuit diagram:



washable



Packaging series TMS (previous page): sticks or tapes

for order on tape: additional to type number: T
example of order: TMS 1 T

Models	Stick	Tape	Reel	Tape width	Rapport
					(A)
TMS 1	50 pieces; L 400 mm	1000 pieces	Ø 330 mm	24 mm	16 mm
TMS 3	50 pieces; L 375 mm	1000 pieces	Ø 330 mm	16 mm	12 mm
TMSE 3	50 pieces; L 375 mm	1000 pieces	Ø 330 mm	16 mm	12 mm

