

Miniature Pushbutton Switches (with illumination)



Specifications:

Contacts:	LTR = rubber contact LTM = metal contact
Contact rating:	LTR 12 V DC, 10 mA LTM 48 V DC, 50 mA max. 1 W
Contact resistance:	LTR < 500 Ω at 2 V DC, 1 mA, at 1,5 N operating force LTM < 100 m Ω at 200 μ V AC, 1,5 mA, at 2 N operating force
Insulation resistance:	> 100 M Ω
Dielectric strength:	250 V, 50 Hz for the duration of 1 minute
Operating temperature:	- 25° to + 70° C
Mechanical life:	LTR minimum 100 000 operations LTM minimum 300 000 operations
Contacts:	LTR rubber contact bridge fixed contact phosphor bronze, gold-plated LTM stainless steel, silver-plated
Terminals:	LTR gold-plated LTM silver-plated
Travel:	LTR 1 mm LTM 0,25 mm
Material:	case: PBT meets UL 94 V-0 caps: LTR/LTM 1: ABS LTR/LTM 2: polycarbonat
Soldering conditions:	LTR: auto-soldering – max.: 3 sec, 245° C \pm 10° C LTM: auto-soldering – max.: 5 sec, 300° C

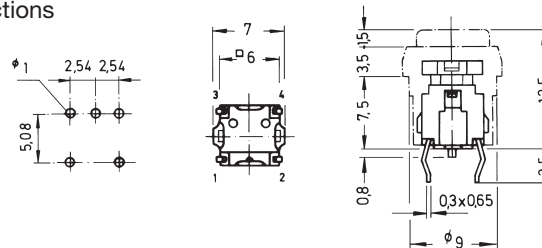
Models: Switching functions

without LED

LTR 1

LTM 1

off - mom



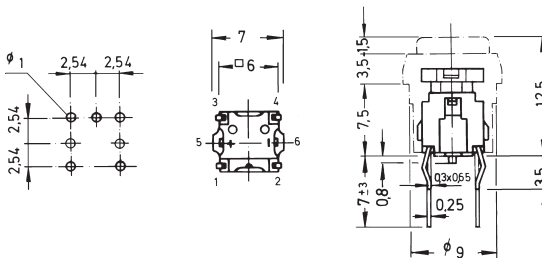
with LED

LTR 2 - L.

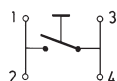
LTM 2 - L.

off - mom

- LR (LED red)
- LG (LED green)
- LY (LED yellow)



Circuit diagram:



LTR/LTM 2-LR: $I_F = 20$ mA; $U_F = 2,0$ V
LTR/LTM 2-LG: $I_F = 10$ mA; $U_F = 1,95$ V
LTR/LTM 2-LY: $I_F = 10$ mA; $U_F = 1,90$ V



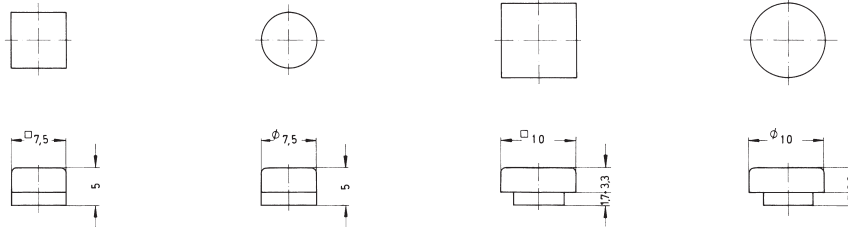


Miniature Pushbutton Switches (with illumination)

Accessories:

Caps

LTR 1/LTM 1



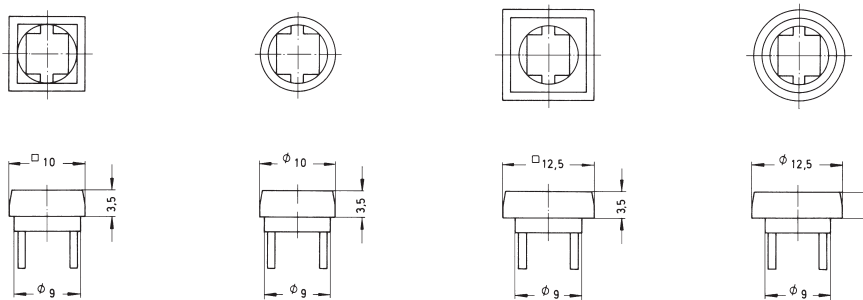
dark grey	KT 7317	KT 7217	KT 8317	KT 8217
grey	KT 7307	KT 7207	KT 8307	KT 8207
light grey	KT 7327	KT 7227	KT 8327	KT 8227
red	KT 7309	KT 7209	KT 8309	KT 8209

LTR 2/LTM 2

transparent:

clear	KT 7390	KT 7290	KT 8390	KT 8290
red	KT 7399	KT 7299	KT 8399	KT 8299
green	KT 7396	KT 7296	KT 8396	KT 8296
yellow	KT 7398	KT 7298	KT 8398	KT 8298

Bezels*



dark grey	FM 7317	FM 7217	FM 8317	FM 8217
grey	FM 7307	FM 7207	FM 8307	FM 8207

* further colours on request