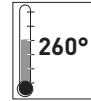


# Subminiature Pushbutton Switches for SMT



## Specifications:

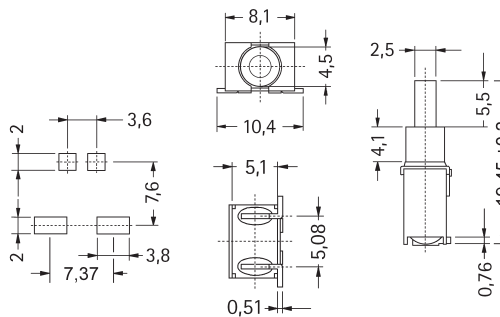
Contact rating:	24 V AC/DC, 0,4 VA
Contact resistance:	< 20 mΩ
Insulation resistance:	> 1000 MΩ
Dielectric strength:	1000 V RMS at sea level
Operating temperature:	- 30° to + 85° C
Electrical life:	50 000 operations at full load
Operating force:	500 gf ± 50 gf
Contacts:	copper alloy, with gold plate over nickel plate
Terminals:	copper alloy, with tin plate over nickel plate
Material:	case and bushing: glass filled nylon 6/6 (UL 94 V-0) washable actuator: brass, chrome-plated switch-support: brass, tin-plated
Mounting:	on pc-board – SMD
Travel:	<b>0,8 mm</b>

3

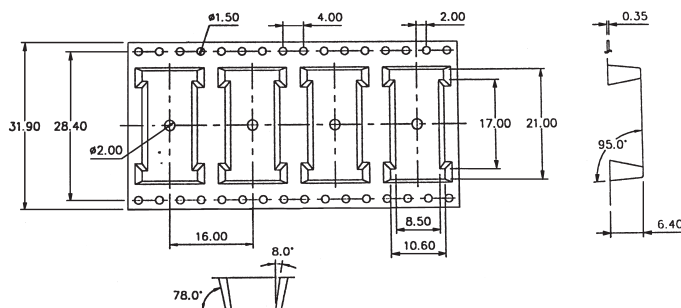
washable

**Model:**            Switching function

SSP 1 CT-R            off – mom



**Packaging:**  
500 pcs/reel





# Subminiature Pushbutton Switches for SMT

## Specifications:

Contact rating:	max. 28 V DC, 0,4 VA min. 20 mV DC, 1 $\mu$ A
Contact resistance:	< 100 m $\Omega$
Insulation resistance:	> 500 M $\Omega$ at 250 V DC
Dielectric strength:	250 V, 50 Hz for the duration of 1 minute
Operating temperature:	- 20° to + 80° C
Mechanical life:	minimum 10 000 operations
Operating force:	1,5 N $\pm$ 1 N
Contacts:	phosphor bronze, gold-plated over nickel barrier
Terminals:	phosphor bronze, gold-plated
Material:	case and button: PA, washable frame: phosphor bronze, gold-plated
Mounting:	on pc-board – SMD
Accessories:	see page 58

3

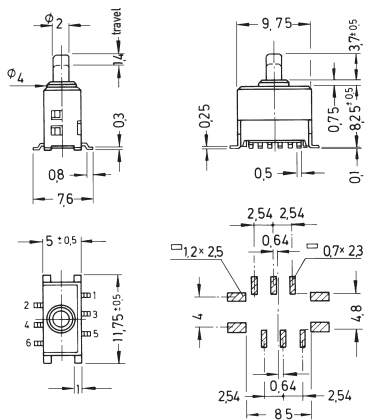
## Models:

Switching functions

DPDT

SMAP 2 F

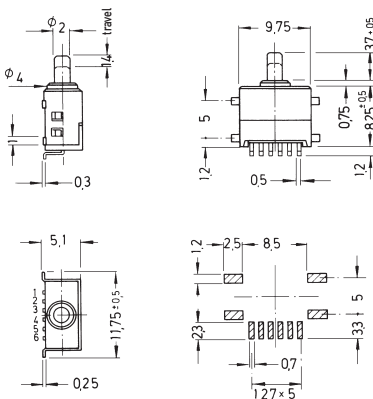
on – mom



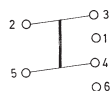
DPDT

SMAP 2 F – RA

on – mom



Circuit diagram:



Soldering conditions:

reflow-soldering – max.: 40 sec, 200° C  
peak temperature 230° C

Packaging:

boxes

washable

