



# Miniature Toggle Switches ESD proof

## Specifications:

Contact rating:	20 V AC, 0,4 VA
Contact resistance:	< 10 mΩ
Insulation resistance:	> 1000 MΩ
Dielectric strength:	1000 V, 50 Hz for the duration of 1 minute
Operating temperature:	- 20° to + 85° C
Mechanical life:	minimum 100 000 operations
Contacts:	gold-plated over nickel barrier
Terminals:	solder tags or PC terminals
Material:	case: PA/PES meets UL 94 V-0, waterproof lever: PA meets UL 94 V-0, waterproof
Mounting:	bushing 1/4" (6,35 mm), with locking ring or on pc-board
Soldering conditions:	hand-soldering – max.: 5 sec, 300° C auto-soldering – max.: 5 sec, 260° C
<b>ESD resistance:</b>	<b>&gt; 10 kV (between lever and terminals)</b>

2

## Models:

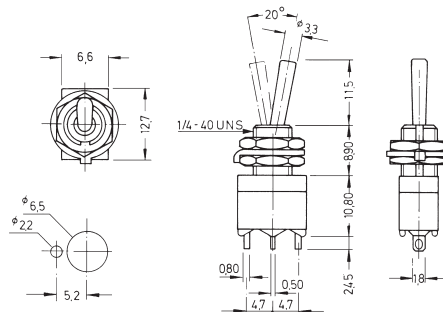
Switching positions: the closed contacts are opposite to the lever position

washable

SPDT

EST 116 DB

on - on



SPDT

EST 116 DB - PC

on - on

