

Miniature Toggle Switches with locking lever



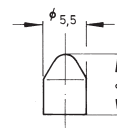
Specifications:

Contact rating:	250 V AC, 3 A / 125 V AC, 6 A 30 V DC, 4 A / 12 V DC, 5 A 6 V DC, 6 A
Contact resistance:	< 10 mΩ
Insulation resistance:	> 1000 MΩ at 500 V DC
Dielectric strength:	1500 V, 50 Hz for the duration of 1 minute
Operating temperature:	- 45° to + 140° C
Mechanical life:	minimum 300 000 operations
Contacts:	coin silver (common contact copper alloy, silver-plated) also available gold-plated, version B and G (see page 4)
Terminals:	solder tags, copper alloy silver-plated
Material:	case: diallyle-phthalate, meets UL 94 V-0, black lever: chromium-plated, metal parts: nickel-plated
Mounting:	bushing M 6 x 0,75, with locking plate, key 9 mm, tightening torque 49 Ncm max.
Soldering conditions:	hand-soldering – max.: 60 W, 3 sec, 420° C auto-soldering – max.: 5 sec, 270° C

Accessories:

Standard version: lever and cap anodized aluminium.
On request, caps are available in the following colours:

blue	KL 104
black	KL 105
red	KL 109
silver	KL 110





Miniature Toggle Switches with locking lever

Models

Switching functions

SPDT

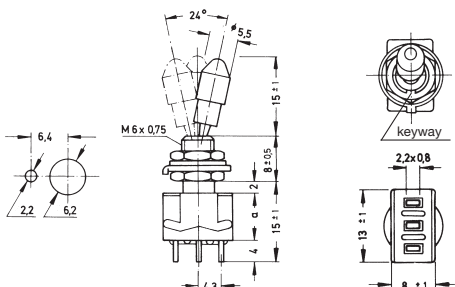


MTL 106 D

on - on

MTL 106 E

on off on



DPDT

MTL 206 N

on - on

MTL 206 P

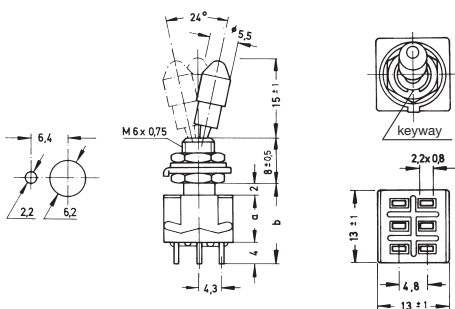
on off on

measures: a = 9, b = 15 ± 1

MTL 206 PA

on on on

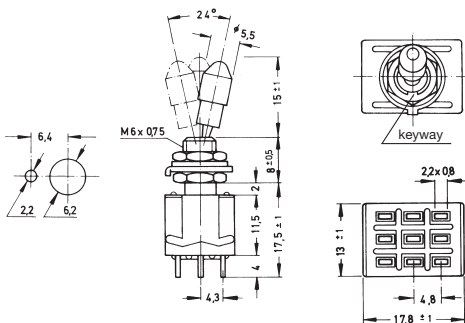
measures: a = 11,5, b = 17,5 ± 1



3PDT

MTL 306 D

on - on



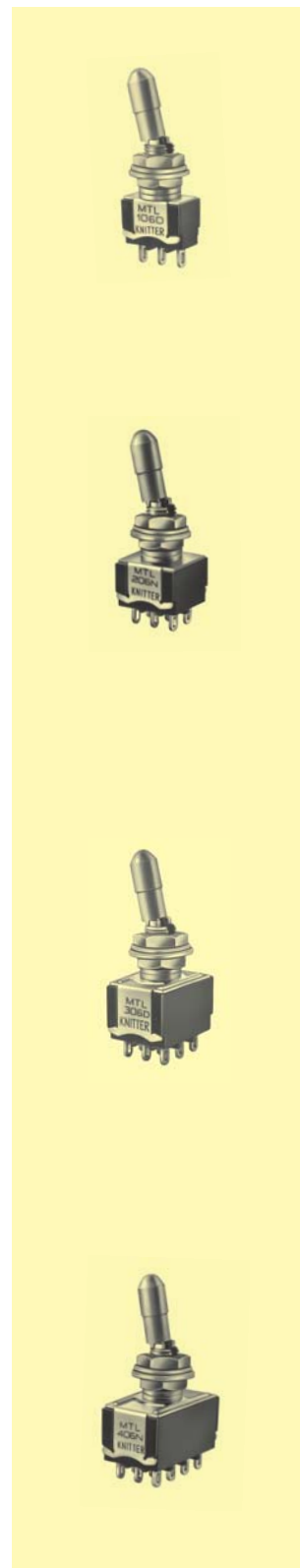
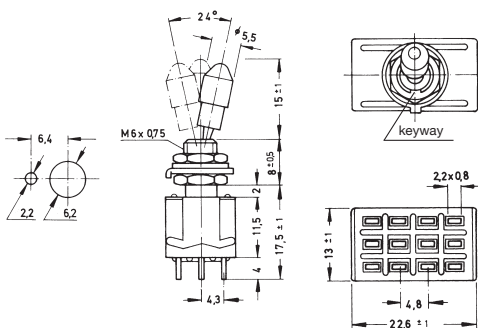
4PDT

MTL 406 N

on - on

MTL 406 P*

on off on



2

* Non-stock item; minimum quantity and delivery time on request.