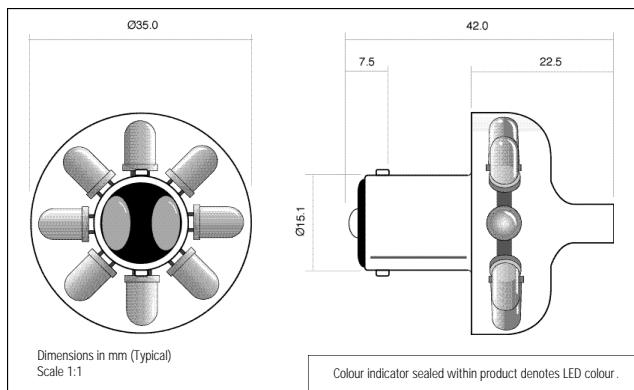


FILAMENT REPLACEMENT LEDs - MULTI-LED CLUSTER



- Direct replacement for BA15d
- Bi-polar
- Moulded housing for ease of handling and installation
- Side emitting product suitable for tower lights



234 SERIES

MLQ = 25



Ordering Information & Typical Technical Characteristics (Ta = 25°C)

Mean Time Between Failure = 100,000 Hours. Luminous intensity figures refer to a single unmodified discrete LED.

PART NUMBER	COLOUR	LENS	VOLTAGE DC Vopr	CURRENT DC Iopr	LUMINOUS INTENSITY Iv@20mA	WAVE LENGTH p	VIEWING ANGLE	OPERATING TEMP Topr	STORAGE TEMP Tstg
HIGH INTENSITY									
234-501-22	Red	Water Clear	24	40	2750	660	Wide	-40 ~ +80	-40 ~ +80
234-521-22	Yellow		24	40	4500	590			
234-532-22	Green		24	40	6000	525			
234-930-22	Blue		24	40	2000	470			
234-997-22	White		24	40	3000	•			
UNITS			Vdc	mA	mcd	nm		°C	°C

• = Typical emission colour: x=0.31, y=0.32. Colour temperature 8000K.
 Intensities (Iv) and colour shades of white (x,y co-ordinates) may vary between LEDs within a batch.

