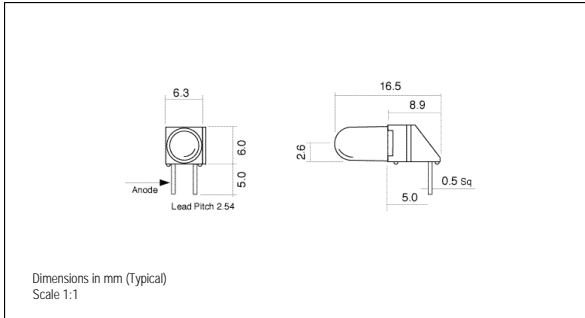
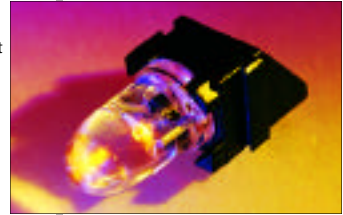


PCB MOUNTING LEDs - Ø 5mm

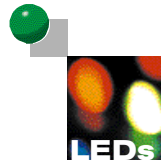


- High intensity light output
- Full colour range
- Side-stackable housing
- Reverse polarity options available



154 SERIES

MLQ = 50



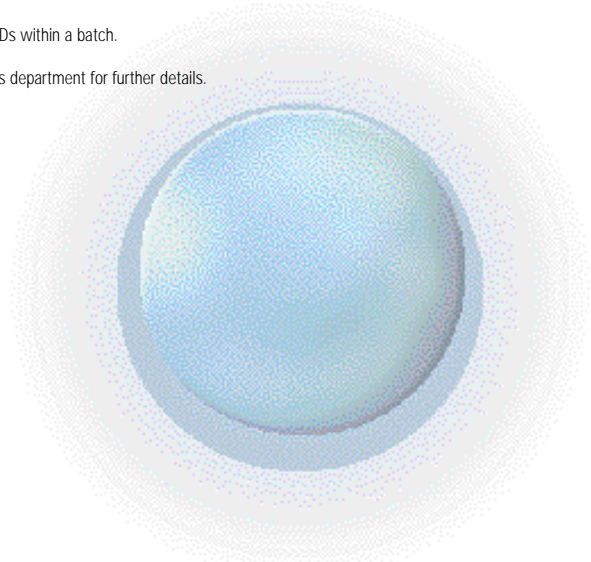
Ordering Information & Typical Technical Characteristics (Ta = 25°C)

Mean Time Between Failure = 100,000 Hours. Luminous intensity figures refer to the unmodified discrete LED.

| PART NUMBER           | COLOUR | LENS        | VOLTAGE DC Vf@20mA | CURRENT DC Iopr | LUMINOUS INTENSITY Iv@20mA | WAVE LENGTH p | VIEWING ANGLE | OPERATING TEMP Topr | STORAGE TEMP Tstg |
|-----------------------|--------|-------------|--------------------|-----------------|----------------------------|---------------|---------------|---------------------|-------------------|
| <b>HIGH INTENSITY</b> |        |             |                    |                 |                            |               |               |                     |                   |
| 154-501-04            | Red    | Water Clear | 1.9                | 20              | 2750                       | 660           | Narrow        | -20 ~ +60           | -30 ~ +85         |
| 154-521-04            | Yellow |             | 2.0                | 20              | 4500                       | 590           |               |                     |                   |
| 154-532-04            | Green  |             | 3.4                | 20              | 6000                       | 525           |               |                     |                   |
| 154-930-04            | Blue   |             | 3.4                | 20              | 2000                       | 470           |               |                     |                   |
| 154-997-04            | White  |             | 3.4                | 20              | 3000                       | •             |               |                     |                   |
| <b>UNITS</b>          |        |             | <b>Vdc</b>         | <b>mA</b>       | <b>mcd</b>                 | <b>nm</b>     |               | <b>°C</b>           | <b>°C</b>         |

• = Typical emission colour: x=0.31, y=0.32. Colour temperature 8000K.  
Intensities (Iv) and colour shades of white (x,y co-ordinates) may vary between LEDs within a batch.

Please note - Other lead lengths are available on request. Please contact our Sales department for further details.



FOR NEW PRODUCTS SEE OUR WEBSITE