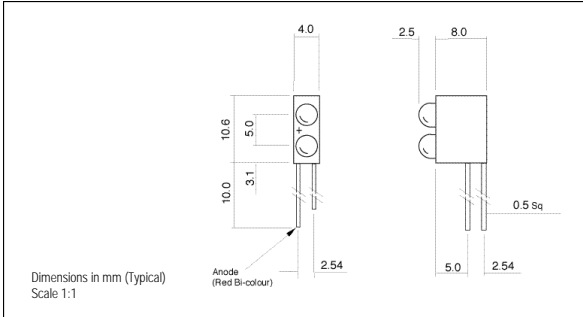


● PCB MOUNTING LEDs - Ø 3mm



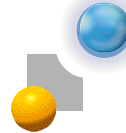
- Save board space and assembly time
- Low current versions available
- Custom built multi-colour permutations
- Reverse polarity options



109 SERIES

MLQ = 250

LEDs



Ordering Information & Typical Technical Characteristics (Ta = 25°C)

Mean Time Between Failure = 100,000 Hours. Low Current Models 250,000 Hours. Luminous intensity figures refer to the unmodified discrete LED.

PART NUMBER	COLOUR	LENS	VOLTAGE DC Vopr	CURRENT DC Iopr	LUMINOUS INTENSITY Iv@20mA	WAVE LENGTH p	VIEWING ANGLE	OPERATING TEMP Topr	STORAGE TEMP Tstg
<b>STANDARD INTENSITY</b>									
109-305-01	Red	Coloured Diffused	2.0	2	35	625	Wide	-40 ~ +80	-40 ~ +80
109-311-01	Yellow		2.1	2	20	590			
109-314-01	Green		2.2	2	20	565			
109-305-04	Red	2.0*	20	35	625				
109-311-04	Yellow	2.1*	20	20	590				
109-314-04	Green	2.2*	20	20	565				
109-330-04	Red/Green	White Diffused	2.0/2.2*	20	25/25	625/565			
109-381-20	Red	Coloured Diffused	5	10	35@10mA	625			
109-382-20	Yellow		5	10	20@10mA	590			
109-383-20	Green		5	10	20@10mA	565			
<b>UNITS</b>			<b>Vdc</b>	<b>mA</b>	<b>mcd</b>	<b>nm</b>		<b>°C</b>	<b>°C</b>

\* = Voltage DC for 20mA product is Vf@20mA, not Vopr

● FOR NEW PRODUCTS SEE OUR WEBSITE

