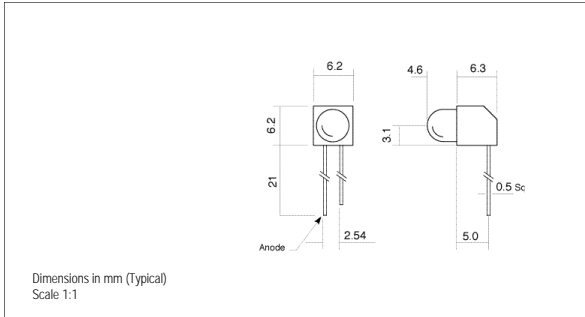
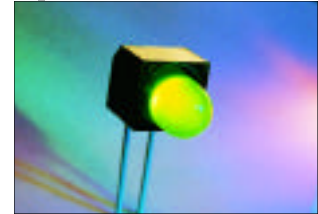


● PCB MOUNTING LEDs - Ø 5mm



- Other Bi-colour options available
- Low current and 5 Vdc versions
- Reverse polarity options



104 SERIES

MLQ = 250

LEDs



Ordering Information & Typical Technical Characteristics (Ta = 25°C)

Mean Time Between Failure = 100,000 Hours. Low Current Models 250,000 Hours. Luminous intensity figures refer to the unmodified discrete LED.

PART NUMBER	COLOUR	LENS	VOLTAGE DC Vopr	CURRENT DC Iopr	LUMINOUS INTENSITY Iv@20mA	WAVE LENGTH p	VIEWING ANGLE	OPERATING TEMP Topr	STORAGE TEMP Tstg
<b>STANDARD INTENSITY</b>									
104-505-01	Red	Coloured Diffused	2.0	2	15	625	Wide	-40 ~ +80	-40 ~ +80
104-511-01	Yellow		2.1	2	20	590			
104-514-01	Green		2.2	2	20	565			
104-505-04	Red		2.0*	20	15	625			
104-511-04	Yellow		2.1*	20	20	590			
104-514-04	Green		2.2*	20	20	565			
104-530-04	Red/Green	White Diffused	2.0/2.2*	20	30/20	625/525			
104-581-20	Red	Coloured Diffused	5	10	40@10mA	625			
104-582-20	Yellow		5	10	25@10mA	590			
104-583-20	Green		5	10	25@10mA	565			
<b>UNITS</b>			<b>Vdc</b>	<b>mA</b>	<b>mcd</b>	<b>nm</b>		<b>°C</b>	<b>°C</b>

\* = Voltage DC for 20mA product is Vf@20mA, not Vopr



Making Light Work For  
You! Making Light  
Work For You! Making  
Light Work For You! Making Light  
Work For You! Making Light

● LED PRODUCTS CAN BE STATIC SENSITIVE